

Item description/product images

**Description****Material:**

Housing G.JL 250, thrust pads and locking parts carbon steel.

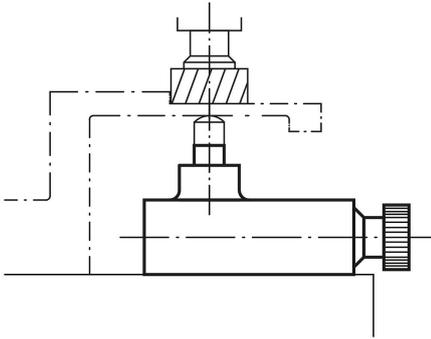
Version:

Housing painted, steel parts black oxidised.

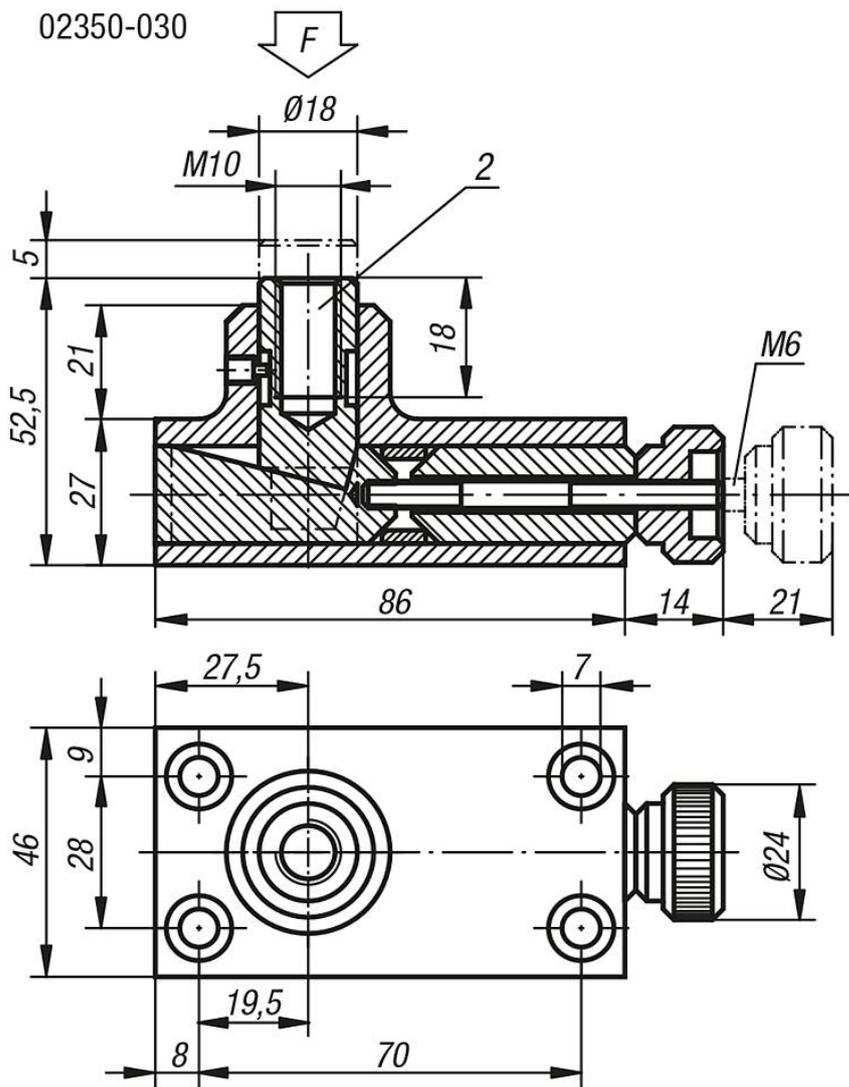
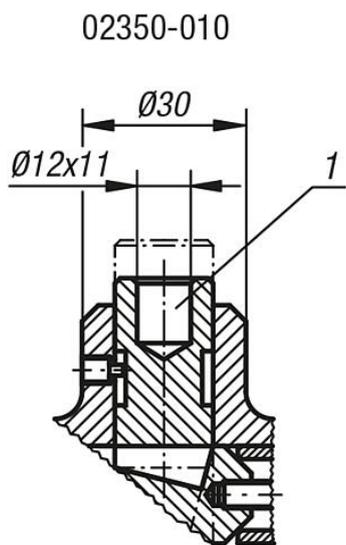
Drawing reference:

1) centring hole for 02210

2) tapped hole for: 02000-110, 02000-310, 02000-910, 02030-10, 02030-101



Drawings



Overview of items

Order No.	F max. kN
02350-010	30
02350-030	30