

Item description/product images



Description

Material:

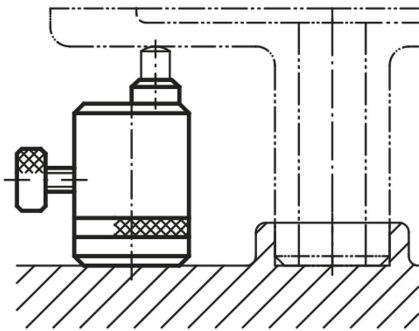
Carbon steel 1.1181.

Version:

Black oxidised.

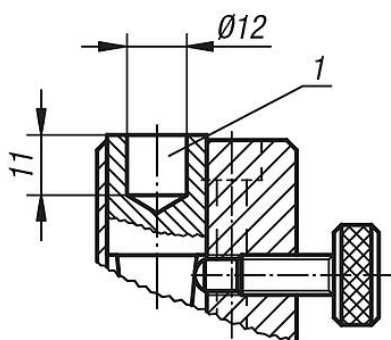
Drawing reference:

- 1) centring hole for 02210
- 2) tapped hole for: 02000-110, 02000-310, 02000-910, 02030-10, 02030-101
- 3) spring force 0.8 - 2.1 N

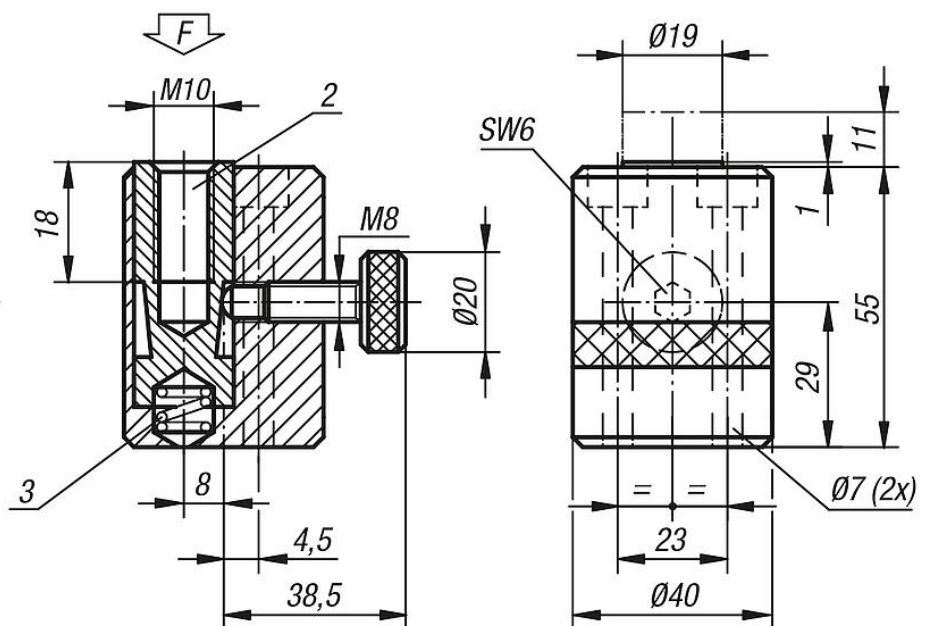


Drawings

02330-020



02330-040



## Overview of items

Order No.	F max. N
02330-020	4000
02330-040	4000