

## Item description/product images



## Description

**Material:**

Aluminium (400 N/mm<sup>2</sup> tensile strength).  
Spindle carbon steel.

**Version:**

Self-locking trapezoidal thread, spindle has end lock.

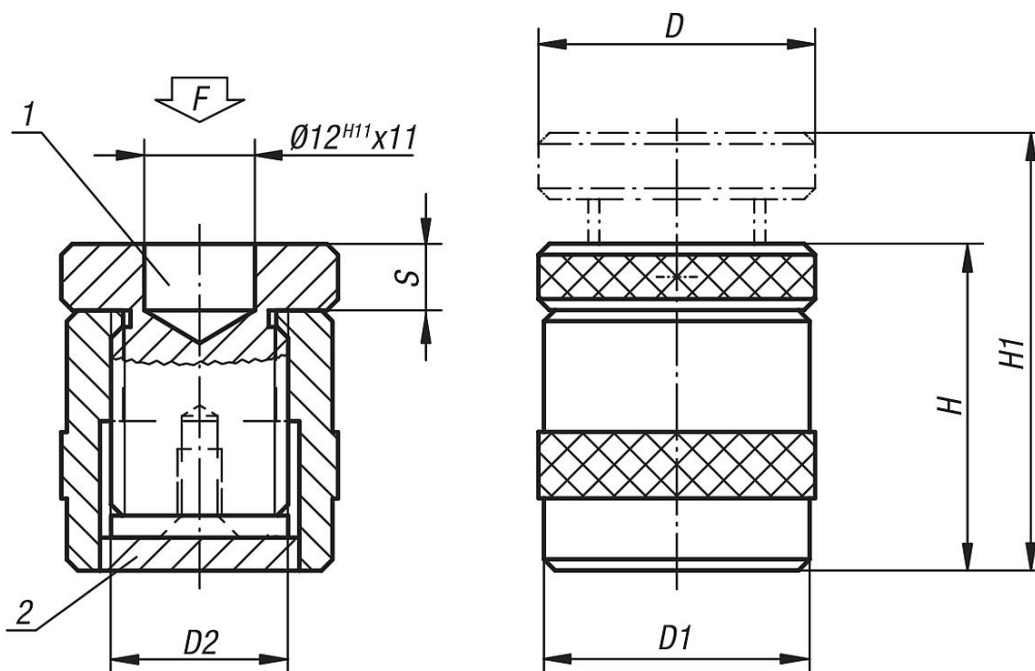
**Note:**

Suitable for horizontal and vertical applications. The magnetic foot allows durable and accurate vertical positioning of the workpiece.

**Drawing reference:**

- 1) centring hole for 02210
- 2) magnetic foot

## Drawings



## Overview of items

Order No.	D	D1	D2	H	H1	S	F max. kN
02182-01	50	50	Tr 30X4	52	62	12	30
02182-02	50	50	Tr 30X4	60	80	12	30
02182-03	50	50	Tr 30X4	80	110	12	30

