

Item description/product images



Description

Material:

Body carbon steel.
Ball, ball-bearing steel 1.3505.

Version:

Body tempered.
Ball hardened (50 - 55 HRC).

Note:

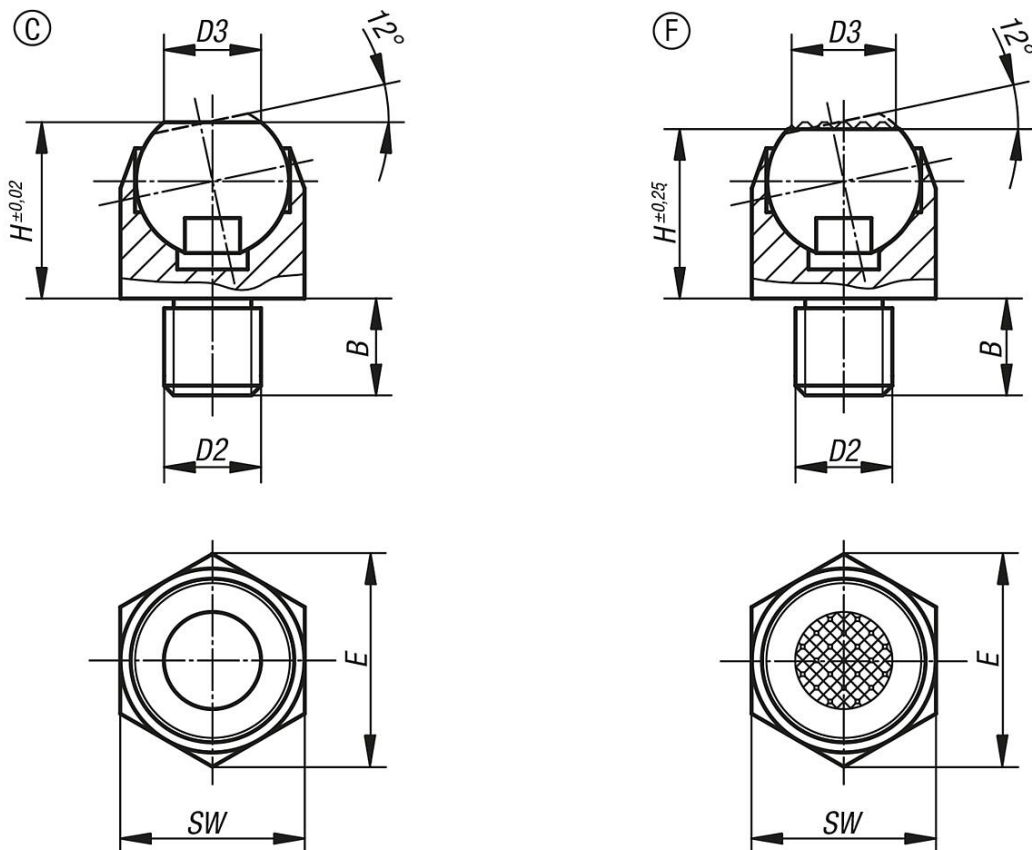
Self-aligning pads serve as stops, supports and thrust pads in fixture construction. They can also be installed in existing clamping devices, e.g. arness clamps.

Ball is secured against rotation.

Drawing reference:

Form C: external thread, smooth flattened ball
Form F: external thread, serrated flattened ball

Drawings



Overview of items

Order No. Form C	Order No. Form F	B	D2	D3	H	E	SW	Ball-Ø	Load rating max. kN (static load only)
02080-106	02080-306	7	M6	6,7	13	14,5	13	10	10
02080-108	02080-308	8	M8	6,7	13	14,5	13	10	10

Overview of items

Order No. Form C	Order No. Form F	B	D2	D3	H	E	SW	Ball-Ø	Load rating max. kN (static load only)
02080-110	02080-310	10	M10	10	18	21,9	19	16	25
02080-112	02080-312	12	M12	10	18	21,9	19	16	25
02080-116	02080-316	16	M16	20	27	33	30	24	90
02080-120	02080-320	20	M20	20	27	33	30	24	90