

## Item description/product images



## Description

**Material:**

Tool steel.

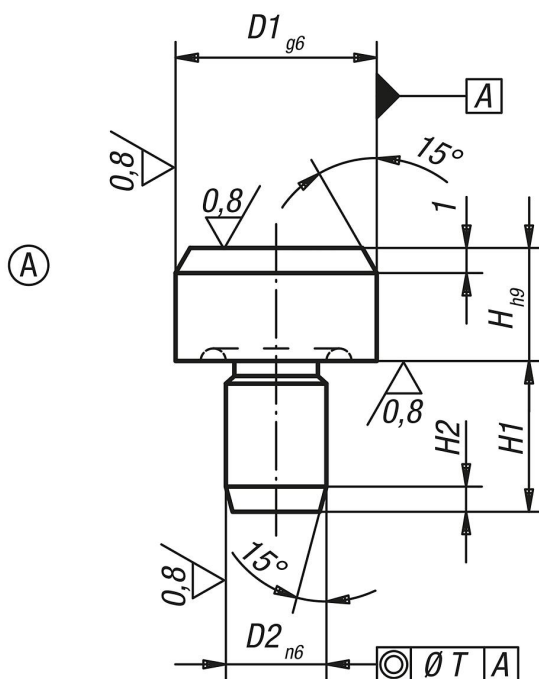
**Version:**

Hardened and ground.

**Note:**

Thrust pads, Form A, serve as supports for workpieces and fixtures. Thrust pads, Form A, can also be used as hardened stops and as fixture feet. For similar pads, see 03120, 03130, 03140 and 03150.

## Drawings



## Overview of items

| Order No. | Form | Version 1           | D1 | D2 | H  | H1 | H2  | T    |
|-----------|------|---------------------|----|----|----|----|-----|------|
| 02020-106 | A    | without centre bore | 6  | 4  | 5  | 6  | 1,2 | 0,02 |
| 02020-110 | A    | without centre bore | 10 | 6  | 6  | 9  | 1,6 | 0,02 |
| 02020-116 | A    | without centre bore | 16 | 8  | 8  | 12 | 2   | 0,04 |
| 02020-125 | A    | without centre bore | 25 | 12 | 10 | 18 | 2,5 | 0,04 |

Overview of items

---