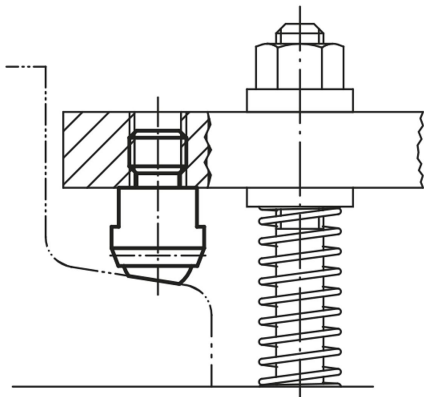


Item description/product images



Description

Material:

Body carbon steel.
 Ball, ball bearing steel 1.2067.
 Form D: Ball with POM insert.
 Form H: Ball with POM insert.
 Form K: Ball with carbide insert.
 Form M has a carbide ball.

Version:

Body tempered and phosphated.
 Ball hardened.
 Form M ball nickel plated.

Note:

Self-aligning pads serve as stops, supports and thrust pads in fixture constructions.

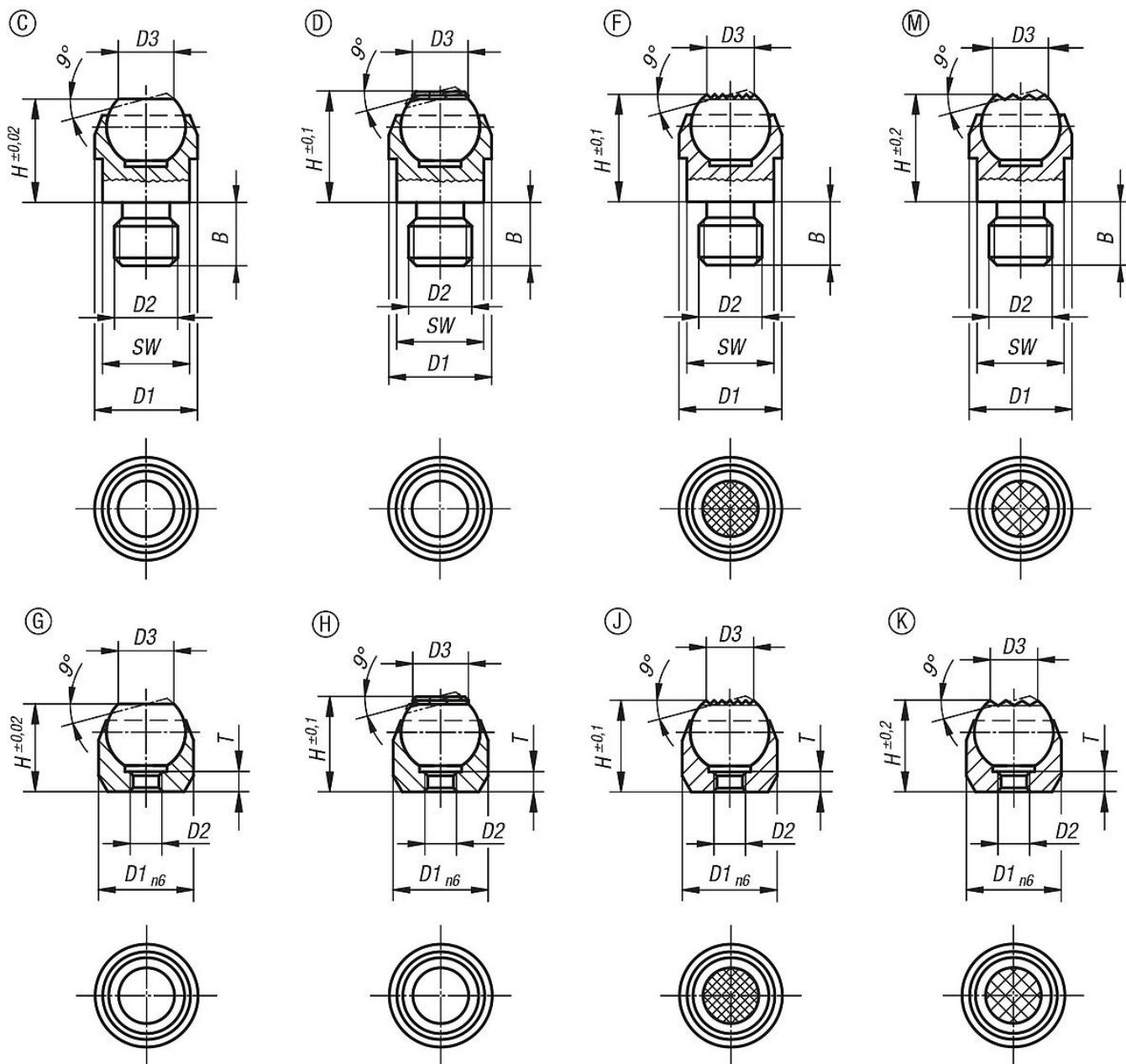
Ball secured against rotation.

* Valid only if the minimum bore depth is observed.

Drawing reference:

Form C: with external thread, flattened ball, smooth.
 Form D: with external thread, flattened ball, with POM insert.
 Form F: with external thread, flattened ball, diamond grip.
 Form M: with external thread, flattened ball, with carbide insert.
 Form G: press fit, flattened ball, smooth.
 Form H: press fit, flattened ball, with POM insert.
 Form J: press fit, flattened ball, diamond grip.
 Form K: press fit, flattened ball, with carbide insert.

Drawings



Overview of items

Order No.	Form	B	D1	D2	D3	H	Ball- \emptyset	SW	Load rating max. kN (static load only)
02000-108	C	8	13	M8	7,2	13	10	11	10
02000-110	C	10	20	M10	10,5	18	16	17	25
02000-112	C	12	20	M12	10,5	18	16	17	25
02000-116	C	16	30	M16	20	27	25	27	90
02000-120	C	20	50	M20	34,5	35	40	41	165

Form C, with external thread, flattened ball, plain

Order No.	Form	B	D1	D2	D3	H	Ball- \emptyset	SW	Load rating max. kN (static load only)
02000-208	D	8	13	M8	7,9	13	10	11	10
02000-210	D	10	20	M10	12,7	18	16	17	25

Overview of items

Order No.	Form	B	D1	D2	D3	H	Ball-Ø	SW	Load rating max. kN (static load only)
02000-212	D	12	20	M12	12,7	18	16	17	25

Form D, with external thread, flattened ball, with POM insert

Order No.	Form	B	D1	D2	D3	H	Ball-Ø	SW	Load rating max. kN (static load only)
02000-308	F	8	13	M8	7,2	13	10	11	10
02000-310	F	10	20	M10	10,5	18	16	17	25
02000-312	F	12	20	M12	10,5	18	16	17	25
02000-316	F	16	30	M16	20	27	25	27	90
02000-320	F	20	50	M20	34,5	35	40	41	165

Form F, external thread, flattened ball, diamond grip

Order No.	Form	B	D1	D2	D3	H	Ball-Ø	SW	Load rating max. kN (static load only)
02000-908	M	8	13	M8	7,7	13,3	10	11	10
02000-910	M	10	20	M10	12	18	16	17	25
02000-912	M	12	20	M12	12	18	16	17	25

Form M, external thread, flattened ball, with carbide insert

Order No.	Form	D1	D2	D3	H	T	Ball-Ø	Receiving hole	Load rating max. kN (static load only)
02000-403	G	12	M3	7,2	11	3,5	10	Ø 12 H7X6 min.	10*
02000-404	G	18	M4	10,5	17	4,4	16	Ø 18 H7X8 min.	25*
02000-405	G	28	M5	20	25	6,3	25	Ø 28 H7X13 min.	90*

Form G, press fit, flattened ball, flat face

Order No.	Form	D1	D2	D3	H	T	Ball-Ø	Receiving hole	Load rating max. kN (static load only)
02000-503	H	12	M3	7,9	11	3	10	Ø 12 H7X6 min.	10*
02000-504	H	18	M4	12,7	17	4	16	Ø 18 H7X8 min.	25*
02000-505	H	28	M5	19,05	25	6	25	Ø 28 H7X13 min.	90*

Form H, press fit, flattened ball, with POM insert

Order No.	Form	D1	D2	D3	H	T	Ball-Ø	Receiving hole	Load rating max. kN (static load only)
02000-603	J	12	M3	7,2	11	3,5	10	Ø 12 H7X6 min.	10*
02000-604	J	18	M4	10,5	17	4,4	16	Ø 18 H7X8 min.	25*
02000-605	J	28	M5	20	25	6,3	25	Ø 28 H7X13 min.	90*

Form J, press fit, flattened ball, diamond grip

Order No.	Form	D1	D2	D3	H	T	Ball-Ø	Receiving hole	Load rating max. kN (static load only)
02000-803	K	12	M3	7,9	11	3	10	Ø 12 H7X6 min.	10*
02000-804	K	18	M4	12,7	17	4	16	Ø 18 H7X8 min.	25*
02000-805	K	28	M5	19,05	25	6	25	Ø 28 H7X13 min.	90*