

Item description/product images



Description

Material:

GJL 250 annealed or EN AW-7075.

Note:

The length L is cut by saw and is always supplied overlong.

On request:

Lengths 800 mm and 1000 mm in cast iron.

Drawing reference:

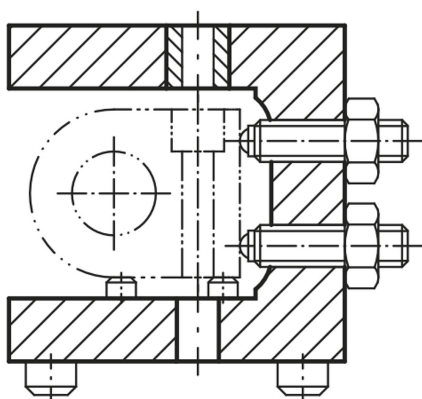
machined faces: ± 0.25 mm

length tolerance:

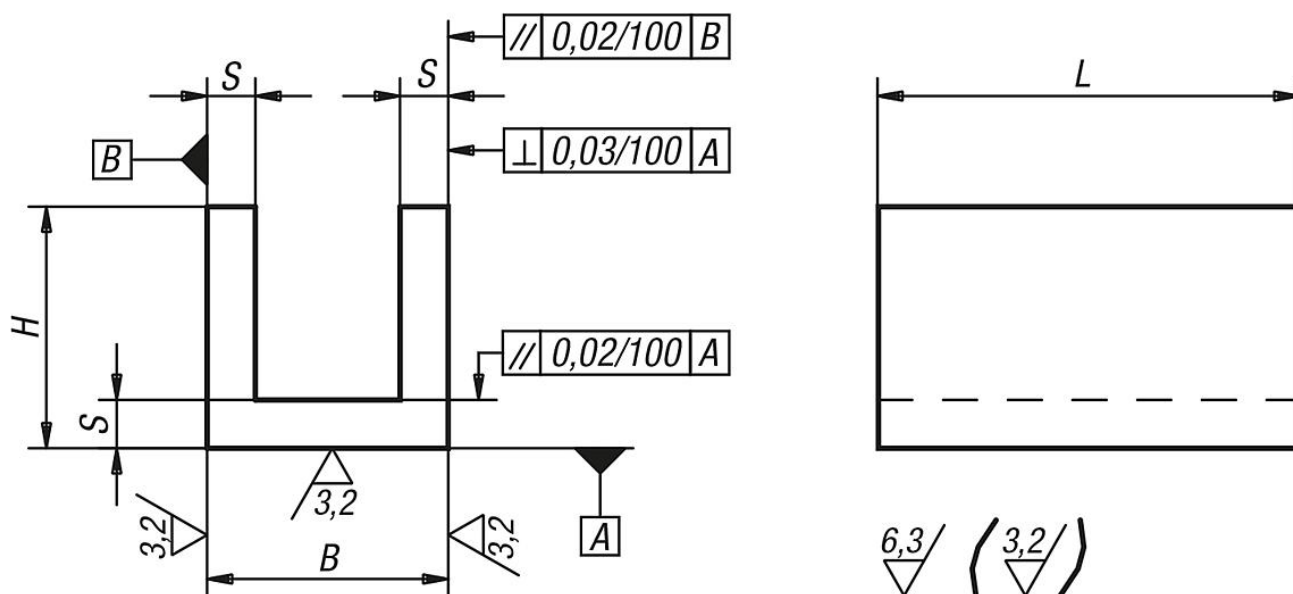
≤ 200 mm: $+3/+10$

> 200 mm ≤ 590 mm: $+8/+15$

≥ 600 mm: $+20/+50$



Drawings



Overview of items

Order No.	Main material	L = length	B	H	S
01680-01X	grey cast iron	150/300	32	32	8

Overview of items

Order No.	Main material	L = length	B	H	S
01680-02X	grey cast iron	150/300	40	40	10
01680-03X	grey cast iron	150/300/600	63	63	12
01680-04X	grey cast iron	200/300/600/800	80	80	16
01680-05X	grey cast iron	200/300/600/1000	100	100	20
01680-06X	grey cast iron	200/300/600/1000	125	125	20
01680-07X	grey cast iron	200/300/600	160	160	25
01680-08X	grey cast iron	200/300/600	200	200	32
01680-09X	grey cast iron	300/600	250	250	36
01680-10X	grey cast iron	300/600	250	200	36
01680-11X	grey cast iron	300/600	315	200	36
01680-201X	aluminium	150/300	32	32	8
01680-202X	aluminium	150/300	40	40	10
01680-203X	aluminium	150/300/600	63	63	12
01680-204X	aluminium	200/300/600/800	80	80	16
01680-205X	aluminium	200/300/600/1000	100	100	20
01680-206X	aluminium	200/300/600/1000	125	125	20
01680-207X	aluminium	200/300/600	160	160	25
01680-208X	aluminium	200/300/600	200	200	32
01680-209X	aluminium	300/600	250	250	36
01680-210X	aluminium	300/600	250	200	36
01680-211X	aluminium	300/600	315	200	36