

Item description/product images



Description

Material:

GJL 250 annealed or EN AW-7075.

Note:

The length L is cut by saw and is always supplied overlong.

Drawing reference:

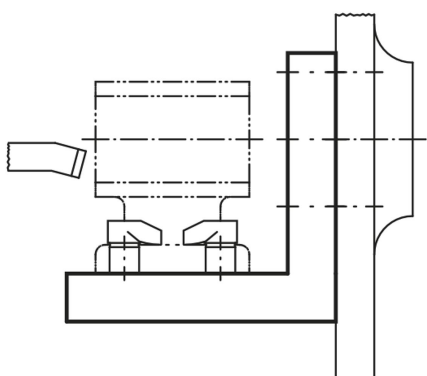
machined faces:  $\pm 0.25$  mm

length tolerance:

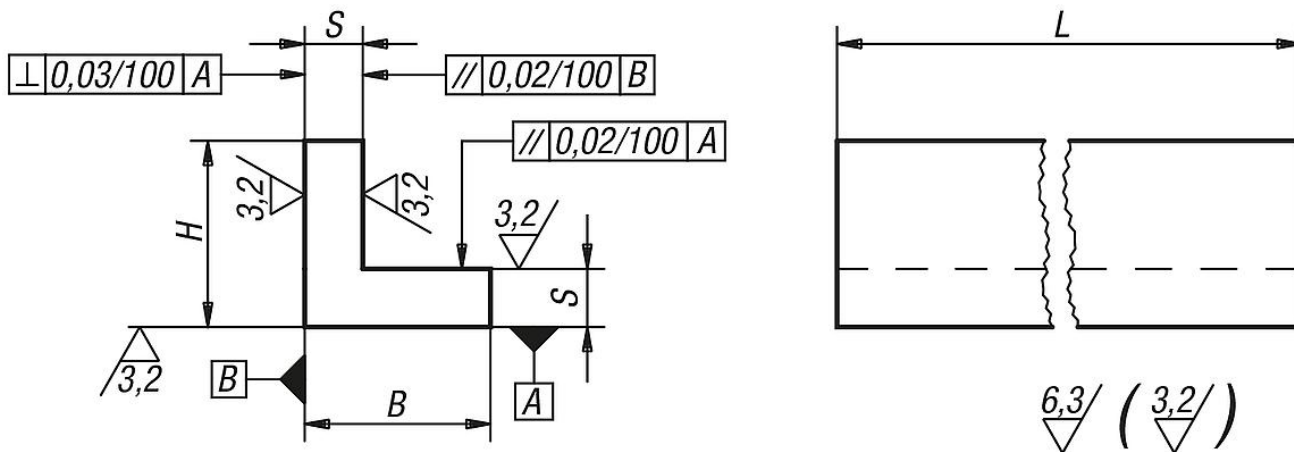
$\leq 200$  mm:  $+3/+10$

$> 200$  mm  $\leq 590$  mm:  $+8/+15$

$\geq 600$  mm:  $+20/+50$



Drawings



Overview of items

Order No. grey cast iron	Order No. aluminium	L = length	B	H	S
01380-01X	01380-201X	150/300	32	32	10
01380-02X	01380-202X	150/300	40	40	12
01380-03X	01380-203X	150/300	50	50	12
01380-04X	01380-204X	150/300	63	63	12
01380-05X	01380-205X	200/300/600/800	80	80	16
01380-06X	01380-206X	200/300/600/1000	100	100	20
01380-07X	01380-207X	200/300/600/1000	125	125	20

## Overview of items

Order No. grey cast iron	Order No. aluminium	L = length	B	H	S
01380-08X	01380-208X	200/300/600	160	160	25
01380-09X	01380-209X	200/300/600	200	200	32
01380-10X	01380-210X	300/600	250	250	36
01380-11X	-	300/600	315	315	36