

Item description/product images

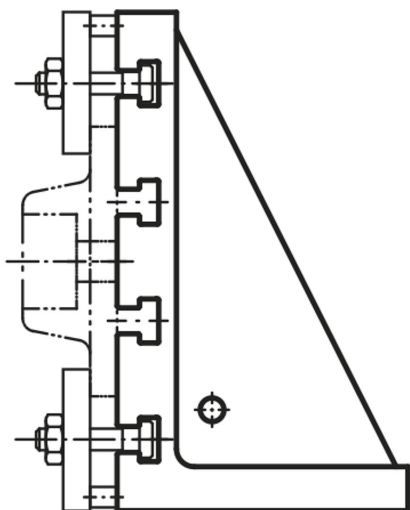


Description

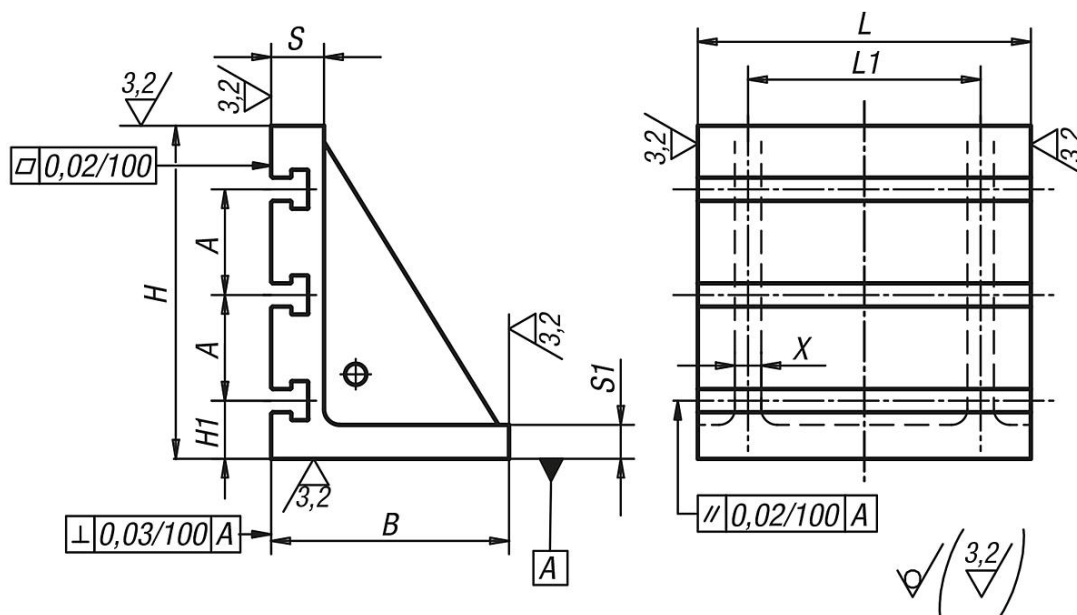
Material:
GJL 250 annealed.

On request:
Other slot widths.

Drawing reference:
machined faces: +0.2 mm/ +0.5 mm
unmachined faces: ±2 mm



Drawings



Overview of items

Order No.	Version 1	L	L1	B	H	H1	S	S1	A	X	T-slot
01250-100125	without slot	100	40	100	125	-	20	10	-	10	-
01250-125160	without slot	125	100	100	160	-	20	10	-	10	-
01250-200250	without slot	200	120	125	250	-	30	15	-	15	-
01250-250300	without slot	250	200	150	300	-	40	20	-	20	-

Overview of items

Order No.	Version 1	L	L1	B	H	H1	S	S1	A	X	T-slot
01250-320370	without slot	320	280	200	370	-	50	25	-	25	-
01250-400450	without slot	400	280	265	450	-	60	30	-	30	-
01250-500550	without slot	500	360	315	550	-	70	35	-	35	-
01250-630640	without slot	630	520	350	640	-	80	40	-	35	-
01250-700750	without slot	700	600	400	750	-	80	40	-	40	-
01250-3203701	with t-slot	320	280	200	370	65	50	25	80	25	14
01250-4004501	with t-slot	400	280	265	450	75	60	30	100	30	18
01250-5005501	with t-slot	500	360	315	550	75	70	35	100	35	18
01250-6306401	with t-slot	630	520	350	640	80	80	40	160	35	22
01250-7007501	with t-slot	700	600	400	750	135	80	40	160	40	22