

Item description/product images

**Description****Material:**

Handle steel 1.0401.

Thrust washer plastic PA 66 GF 35-X fibreglass reinforced.

Hinge pin stainless steel 1.4305.

Stud and washer steel, grade 5.8.

Version:

Handle, stud and washer, blue chromed.

Thrust washer black.

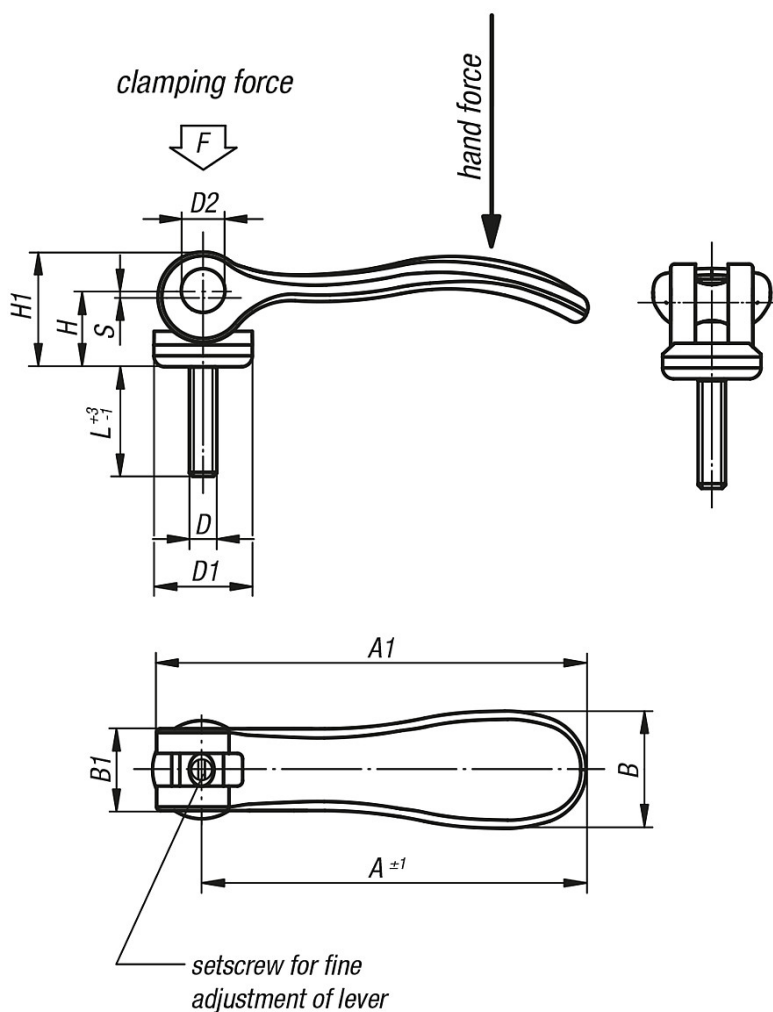
Hinge pin bright.

Note:

Adjustable cam levers are used when the position of the clamping lever relative to the clamping axis permits only one specific position (swing circle interference). The exact position of the clamping lever is adjusted with a screwdriver via the fine thread on the stud.

Plastics are subject to creeping under load (retardation), this can cause reduced clamping force.

Drawings



Overview of items

Order No.	Size	D	D1	D2	B	B1	H	H1	A	A1	L	Stroke S	Clamping force F (kN)	Hand force N
04233-1502205X	1	M5	18,1	9	21,5	15	14,5	22	70,4	79,2	20/30/40/50	1,2	4	120
04233-1502206X	1	M6	18,1	9	21,5	15	14,5	22	70,4	79,2	20/30/40/50	1,2	4	120
04233-2502208X	2	M8	27,1	11	33,3	24	18	28,5	96	108	25/30/40/50	1,5	8	350
04233-2502210X	2	M10	27,1	11	33,3	24	18	28,5	96	108	25/30/40/50	1,5	8	350