

## Item description/product images



## Description

### Material:

Grip and thrust washer plastic PA 66 fibreglass reinforced.  
Hinge pins stainless steel 1.4305.  
Studs and washer steel grade 5.8 or stainless steel 1.4305.

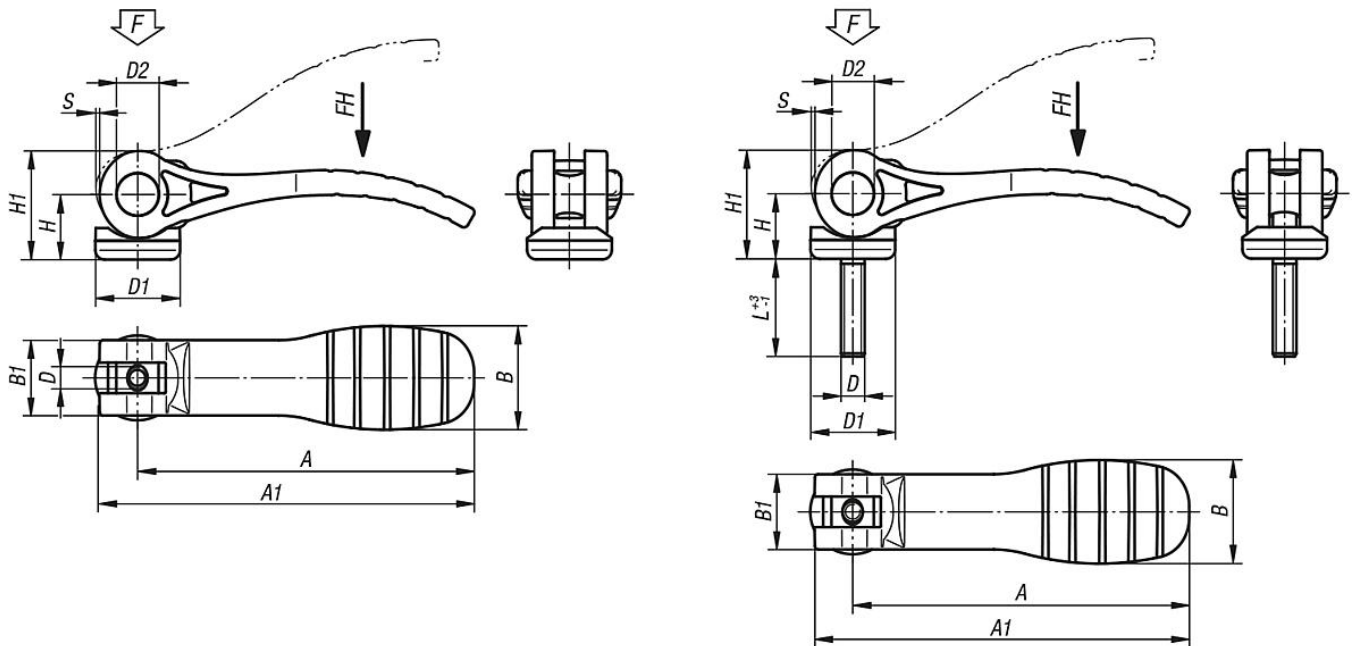
### Version:

Grip black or traffic red RAL3020.  
Thrust washer black.  
Hinge pin bright.  
Stud and washer trivalent blue-passivated or bright stainless steel.

### Note:

Plastics are subject to creeping under load (retardation), this can cause reduced clamping force.

## Drawings



## Overview of items

### Cam levers with plastic handle and internal thread

Order No.	Component material	Main colour	D	D1	D2	B	B1	H	H1	A	A1	Travel S	Clamping force F (kN)	Hand force FH N
04232-1521105	steel	black	M5	18,1	9	22	16	14	23,4	71,5	79,6	1,15	2,5	125
04232-1521106	steel	black	M6	18,1	9	22	16	14	23,4	71,5	79,6	1,15	2,5	125
04232-2521108	steel	black	M8	27,1	11	33	24,2	16,2	27,7	100	110	1,5	5	170
04232-1531105	stainless steel	black	M5	18,1	9	22	16	14	23,4	71,5	79,6	1,15	2,5	125
04232-1531106	stainless steel	black	M6	18,1	9	22	16	14	23,4	71,5	79,6	1,15	2,5	125
04232-2531108	stainless steel	black	M8	27,1	11	33	24,2	16,2	27,7	100	110	1,5	5	170
04232-15218405	steel	traffic red RAL 3020	M5	18,1	9	22	16	14	23,4	71,5	79,6	1,15	2,5	125
04232-15218406	steel	traffic red RAL 3020	M6	18,1	9	22	16	14	23,4	71,5	79,6	1,15	2,5	125
04232-25218408	steel	traffic red RAL 3020	M8	27,1	11	33	24,2	16,2	27,7	100	110	1,5	5	170
04232-15318405	stainless steel	traffic red RAL 3020	M5	18,1	9	22	16	14	23,4	71,5	79,6	1,15	2,5	125
04232-15318406	stainless steel	traffic red RAL 3020	M6	18,1	9	22	16	14	23,4	71,5	79,6	1,15	2,5	125



# 04232 Cam levers, plastic with internal or external thread, plastic thrust washer and steel or stainless steel stud



## Overview of items

Order No.	Thread type	Component material	Main colour	D	D1	D2	B	B1	H	H1	A	A1	L	Travel S	Clamping force F (kN)	Hand force FH N
04232-25318408X25	external thread	stainless steel	traffic red RAL 3020	M8	27,1	11	33	24,2	16,2	27,7	100	110	25	1,5	5	170
04232-25318408X30	external thread	stainless steel	traffic red RAL 3020	M8	27,1	11	33	24,2	16,2	27,7	100	110	30	1,5	5	170
04232-25318408X40	external thread	stainless steel	traffic red RAL 3020	M8	27,1	11	33	24,2	16,2	27,7	100	110	40	1,5	5	170
04232-25318408X50	external thread	stainless steel	traffic red RAL 3020	M8	27,1	11	33	24,2	16,2	27,7	100	110	50	1,5	5	170
04232-25318410X25	external thread	stainless steel	traffic red RAL 3020	M10	27,1	11	33	24,2	16,2	27,7	100	110	25	1,5	5	170
04232-25318410X30	external thread	stainless steel	traffic red RAL 3020	M10	27,1	11	33	24,2	16,2	27,7	100	110	30	1,5	5	170
04232-25318410X40	external thread	stainless steel	traffic red RAL 3020	M10	27,1	11	33	24,2	16,2	27,7	100	110	40	1,5	5	170
04232-25318410X50	external thread	stainless steel	traffic red RAL 3020	M10	27,1	11	33	24,2	16,2	27,7	100	110	50	1,5	5	170