

## Description

### Material:

Steel version  
Indexing pin hardened:  
grade 5.8.

Stainless steel version  
Indexing pin hardened:  
Threaded sleeve 1.4305.  
Indexing pin 1.4034.

Indexing pin not hardened:  
Threaded sleeve 1.4305.  
Indexing pin 1.4305.

Mushroom knob black-grey thermoplastic.

### Version:

Steel version:  
Indexing pin hardened, ground, black oxidised.

Stainless steel version:  
Indexing pin hardened, ground and bright.  
Indexing pin not hardened, ground and bright.

### Note:

Indexing plungers are used to prevent any change in locking position due to lateral forces. A new locking position can only be set after the pin has been manually disengaged.

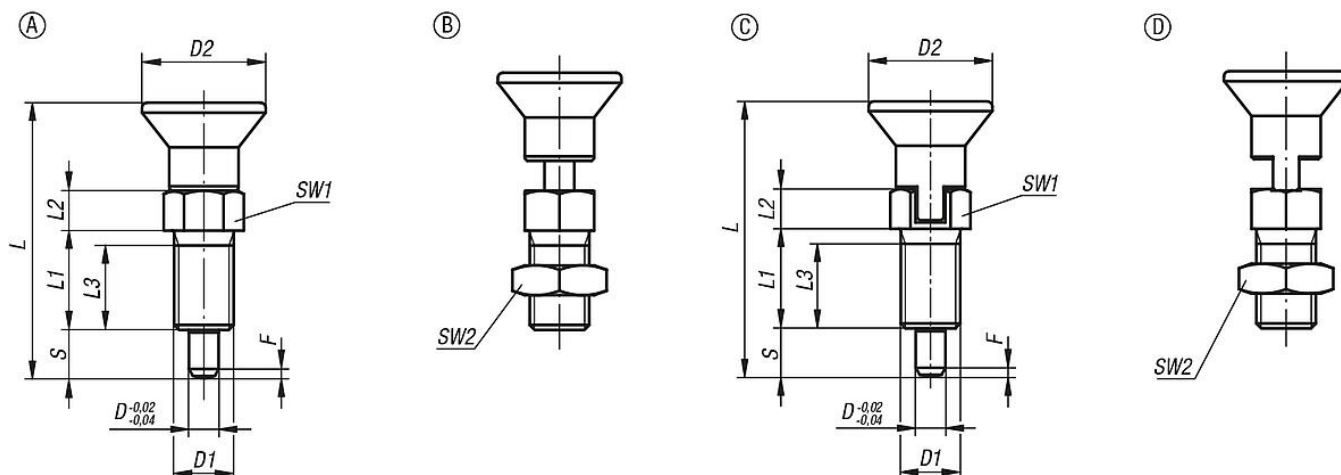
### On request:

Special versions.

### Drawing reference:

Form A: non-lockout type, without locknut  
Form B: non-lockout type, with locknut  
Form C: lockout type, without locknut  
Form D: lockout type, with locknut

## Drawings



## Overview of items

### Indexing plungers with extended indexing pins, steel, indexing pins hardened

Order No. Form A	Order No. Form B	D	D1	D2	L	L1	L2	L3	Travel S	SW1	SW2	Fx30°	Spring force initial pressure F1 approx. N	Spring force final pressure F2 approx. N
03089-21903	03089-22903	3	M6x0,75	14	33	12	5	10	5	8	-/10	0,8	4,5	12
03089-21004	03089-22004	4	M8x1	18	40,5	15	6	13	6	10	-/13	1	6	15
03089-21105	03089-22105	5	M10x1	21	46,5	17	7	15	8	13	-/17	1,3	5	16
03089-21206	03089-22206	6	M12x1,5	25	54,7	20	8	17	9	14	-/19	1,8	6	18
03089-21308	03089-22308	8	M16x1,5	33	72	26	10	23	12	19	-/24	2,3	15	45
03089-21410	03089-22410	10	M20x1,5	33	79	28	12	25	15	22	-/30	2,8	15	43
03089-21412	03089-22412	12	M20x1,5	33	84	28	14	25	18	22	-/30	2,8	15	51
03089-21516	03089-22516	16	M24x2	40	104	32	18	28	24	27	-/36	3,2	20	60

Order No. Form C	Order No. Form D	D	D1	D2	L	L1	L2	L3	Travel S	SW1	SW2	Fx30°	Spring force initial pressure F1 approx. N	Spring force final pressure F2 approx. N
03089-23105	03089-24105	5	M10x1	21	49,5	17	10	15	8	13	-/17	1,3	5	16
03089-23206	03089-24206	6	M12x1,5	25	57,7	20	11	17	9	14	-/19	1,8	6	18
03089-23308	03089-24308	8	M16x1,5	33	76	26	14	23	12	19	-/24	2,3	15	45

### Indexing plungers with extended indexing pins, stainless steel, indexing pins hardened

Order No. Form A	Order No. Form B	D	D1	D2	L	L1	L2	L3	Travel S	SW1	SW2	Fx30°	Spring force initial pressure F1 approx. N	Spring force final pressure F2 approx. N
03089-201903	03089-202903	3	M6x0,75	14	33	12	5	10	5	8	-/10	0,8	4,5	12
03089-201004	03089-202004	4	M8x1	18	40,5	15	6	13	6	10	-/13	1	6	15
03089-201105	03089-202105	5	M10x1	21	46,5	17	7	15	8	13	-/17	1,3	5	16
03089-201206	03089-202206	6	M12x1,5	25	54,7	20	8	17	9	14	-/19	1,8	6	18
03089-201308	03089-202308	8	M16x1,5	33	72	26	10	23	12	19	-/24	2,3	15	45
03089-201410	03089-202410	10	M20x1,5	33	79	28	12	25	15	22	-/30	2,8	15	43
03089-201412	03089-202412	12	M20x1,5	33	84	28	14	25	18	22	-/30	2,8	15	51
03089-201516	03089-202516	16	M24x2	40	104	32	18	28	24	27	-/36	3,2	20	60

Order No. Form C	Order No. Form D	D	D1	D2	L	L1	L2	L3	Travel S	SW1	SW2	Fx30°	Spring force initial pressure F1 approx. N	Spring force final pressure F2 approx. N
03089-203105	03089-204105	5	M10x1	21	49,5	17	10	15	8	13	-/17	1,3	5	16
03089-203206	03089-204206	6	M12x1,5	25	57,7	20	11	17	9	14	-/19	1,8	6	18
03089-203308	03089-204308	8	M16x1,5	33	76	26	14	23	12	19	-/24	2,3	15	45

### Indexing plungers with extended indexing pins, stainless steel, indexing pins not hardened

Order No. Form A	Order No. Form B	D	D1	D2	L	L1	L2	L3	Travel S	SW1	SW2	Fx30°	Spring force initial pressure F1 approx. N	Spring force final pressure F2 approx. N
03089-211903	03089-212903	3	M6x0,75	14	33	12	5	10	5	8	-/10	0,8	4,5	12
03089-211004	03089-212004	4	M8x1	18	40,5	15	6	13	6	10	-/13	1	6	15
03089-211105	03089-212105	5	M10x1	21	46,5	17	7	15	8	13	-/17	1,3	5	16
03089-211206	03089-212206	6	M12x1,5	25	54,7	20	8	17	9	14	-/19	1,8	6	18
03089-211308	03089-212308	8	M16x1,5	33	72	26	10	23	12	19	-/24	2,3	15	45
03089-211410	03089-212410	10	M20x1,5	33	79	28	12	25	15	22	-/30	2,8	15	43
03089-211412	03089-212412	12	M20x1,5	33	84	28	14	25	18	22	-/30	2,8	15	51
03089-211516	03089-212516	16	M24x2	40	104	32	18	28	24	27	-/36	3,2	20	60

Order No. Form C	Order No. Form D	D	D1	D2	L	L1	L2	L3	Travel S	SW1	SW2	Fx30°	Spring force initial pressure F1 approx. N	Spring force final pressure F2 approx. N
03089-213105	03089-214105	5	M10x1	21	49,5	17	10	15	8	13	-/17	1,3	5	16
03089-213206	03089-214206	6	M12x1,5	25	57,7	20	11	17	9	14	-/19	1,8	6	18
03089-213308	03089-214308	8	M16x1,5	33	76	26	14	23	12	19	-/24	2,3	15	45

