

Item description/product images



Description

Material:

Sleeve 1.4305.
Thrust pin 1.4034.
Spring 1.4310.

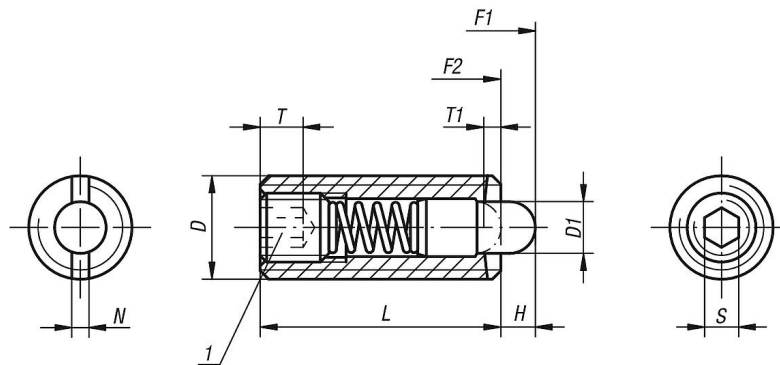
Version:

Bright.
Thrust pin hardened.

Drawing reference:

1) grub screw glued in

Drawings



Overview of items

Order No.	D	D1	H	L	T1	N	S	Spring force initial pressure F1 approx. N	Spring force final pressure F2 approx. N	Order No. Assembly key
03055-205	M5	2,4	2,3	18	0,8	0,8	1,5	9	26	03040-905
03055-206	M6	2,7	2,5	20	1	1	2	11	35	03040-906
03055-208	M8	3,5	3	22	1,4	1,2	2,5	15	48	03040-908
03055-210	M10	4	3	22	1,4	1,6	3	15	58	03040-910
03055-212	M12	6	4	28	2	2	4	19	74	03040-912