

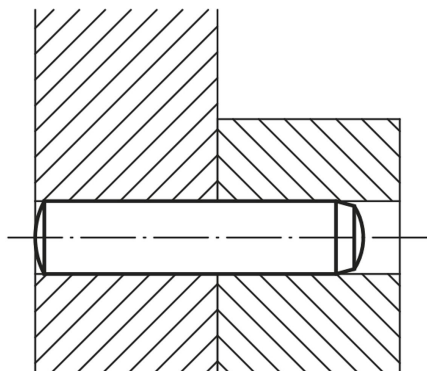
Item description/product images



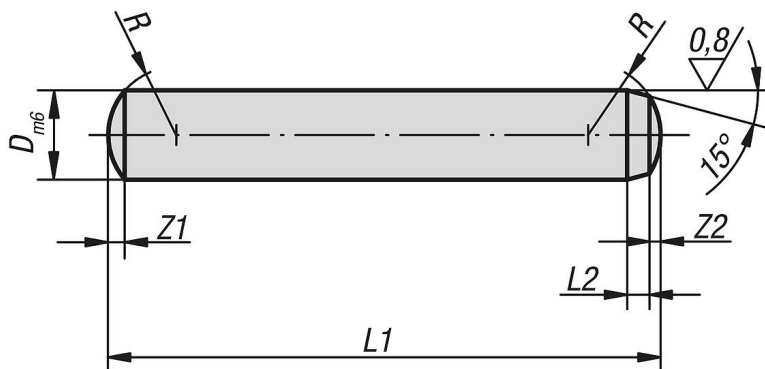
Description

**Material:**  
Tool steel 1.2067

**Version:**  
Hardened. Hardness 60 ±2 HRC.



Drawings



Overview of items

Order No.	D	L1 = length	L2	R	Z1	Z2
03320-02X	2	6/8/10/12/14/16/18/20	0,6	2	0,3	0,18
03320-25X	2,5	6/8/10/12/14/16/18/20/22/24	0,7	2,5	0,4	0,25
03320-03X	3	8/10/12/14/16/18/20/22/24/28/30/32	0,8	3	0,45	0,3
03320-04X	4	8/10/12/14/16/18/20/22/24/28/30/32/36/40	1	4	0,6	0,4
03320-05X	5	10/12/14/16/18/20/22/24/28/30/32/36/40/45/50	1,2	5	0,75	0,5
03320-06X	6	10/12/14/16/18/20/22/24/28/30/32/36/40/45/50/55/60	1,5	6	0,9	0,6
03320-08X	8	12/14/16/18/20/22/24/28/30/32/36/40/45/50/55/60/70/80	1,8	8	1,2	0,8
03320-10X	10	16/18/20/24/28/30/32/36/40/45/50/55/60/70/80/90/100	2	10	1,5	1
03320-12X	12	18/20/24/28/30/32/36/40/45/50/55/60/70/80/90/100/120	2,5	12	1,8	1,3
03320-14X	14	24/28/32/36/40/45/50/55/60/70/80/90/100/120	2,5	16	2	1,3
03320-16X	16	24/28/32/36/40/45/50/55/60/70/80/90/100/110/120	3	16	2,5	1,7