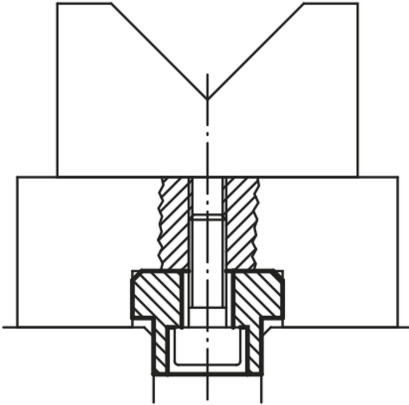
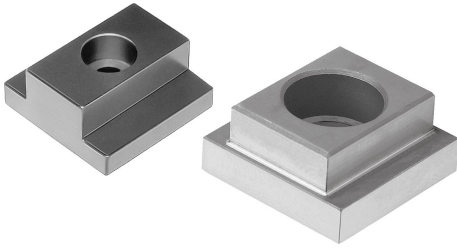


Item description/product images

**Description****Material:**

Carbon steel 1.1191

Version:

Form A black oxidised.

Form B hardened and bright.

Note:

Slot guide nuts are used for positioning fixture components quickly and exactly.

The time-consuming work to align components is no longer required.

Version B can be mounted at 90° for a wider mark-out dimension. The slot guide nut can therefore be used for two different slot widths.

Application:

The slot guide nuts are screwed into a slot with the fixture components and then marked out on the counterpiece.

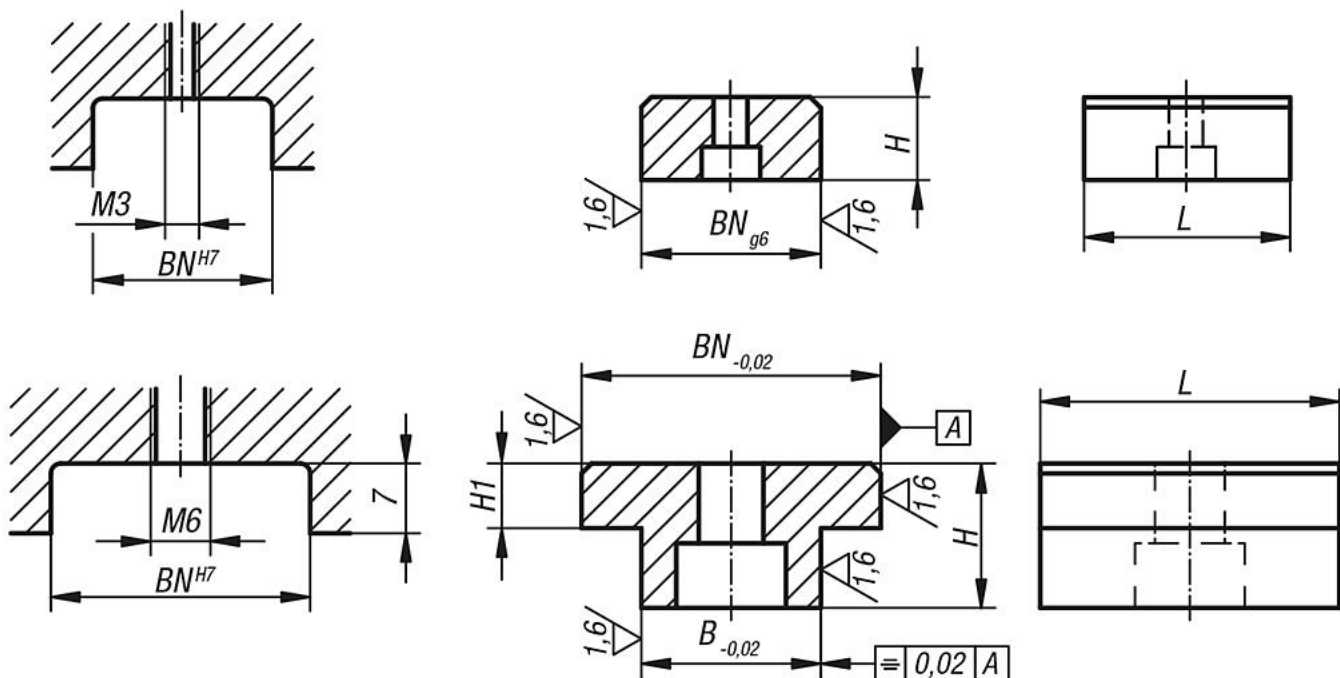
Advantages:

Very time-saving when mounting fixture components.

Drawings

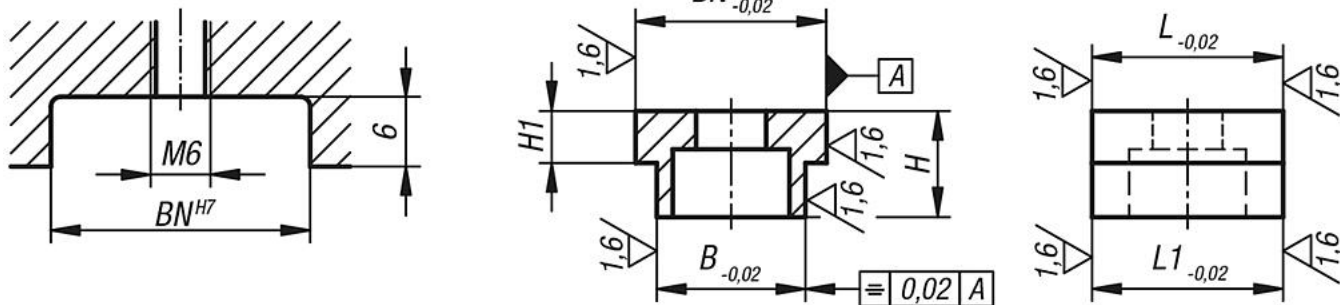
(A)

03240-08x8

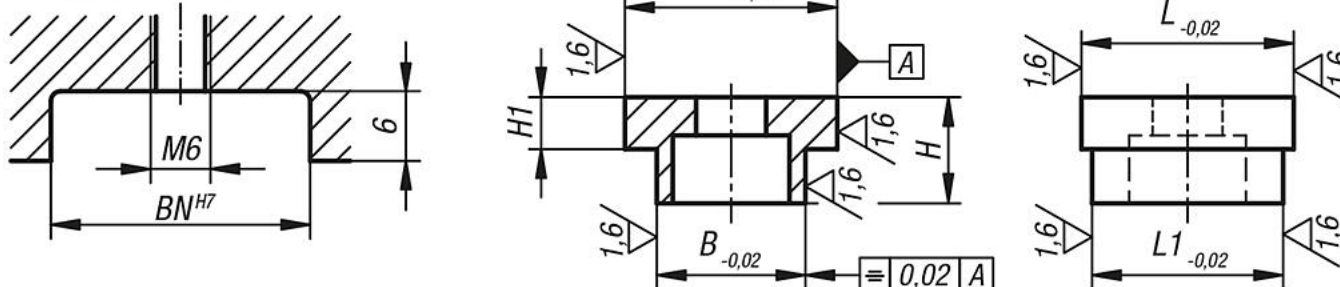


(B)

03240-1814x18



03240-1814x20



Overview of items

Order No.	Form	Form definition	BN=Slot width	B	H	H1	L	L1
03240-08X8	A	single	8	8	8	-	20	-
03240-12X20	A	single	20	12	14	6	30	-
03240-12X22	A	single	22	12	14	6	30	-

Overview of items

Order No.	Form	Form definition	BN=Slot width	B	H	H1	L	L1
03240-12X30	A	single	30	12	14	6	30	-
03240-14X20	A	single	20	14	14	6	30	-
03240-14X22	A	single	22	14	14	6	30	-
03240-14X30	A	single	30	14	14	6	30	-
03240-16X20	A	single	20	16	14	6	30	-
03240-16X22	A	single	22	16	14	6	30	-
03240-16X30	A	single	30	16	14	6	30	-
03240-18X20	A	single	20	18	14	6	30	-
03240-18X22	A	single	22	18	14	6	30	-
03240-18X30	A	single	30	18	14	6	30	-
03240-22X20	A	single	20	22	14	6	30	-
03240-22X22	A	single	22	22	14	6	30	-
03240-22X30	A	single	30	22	14	6	30	-
03240-1814X18	B	both sides	18	14	10	4,9	18	18
03240-1814X20	B	both sides	20	14	10	4,9	20	18