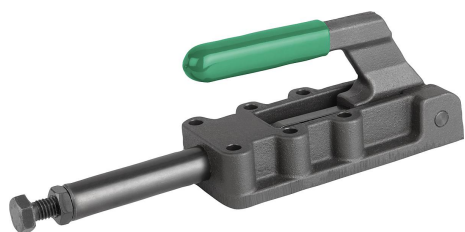


Item description/product images



Description

Material:

Steel.  
Body and handle ductile iron (SG iron)

Version:

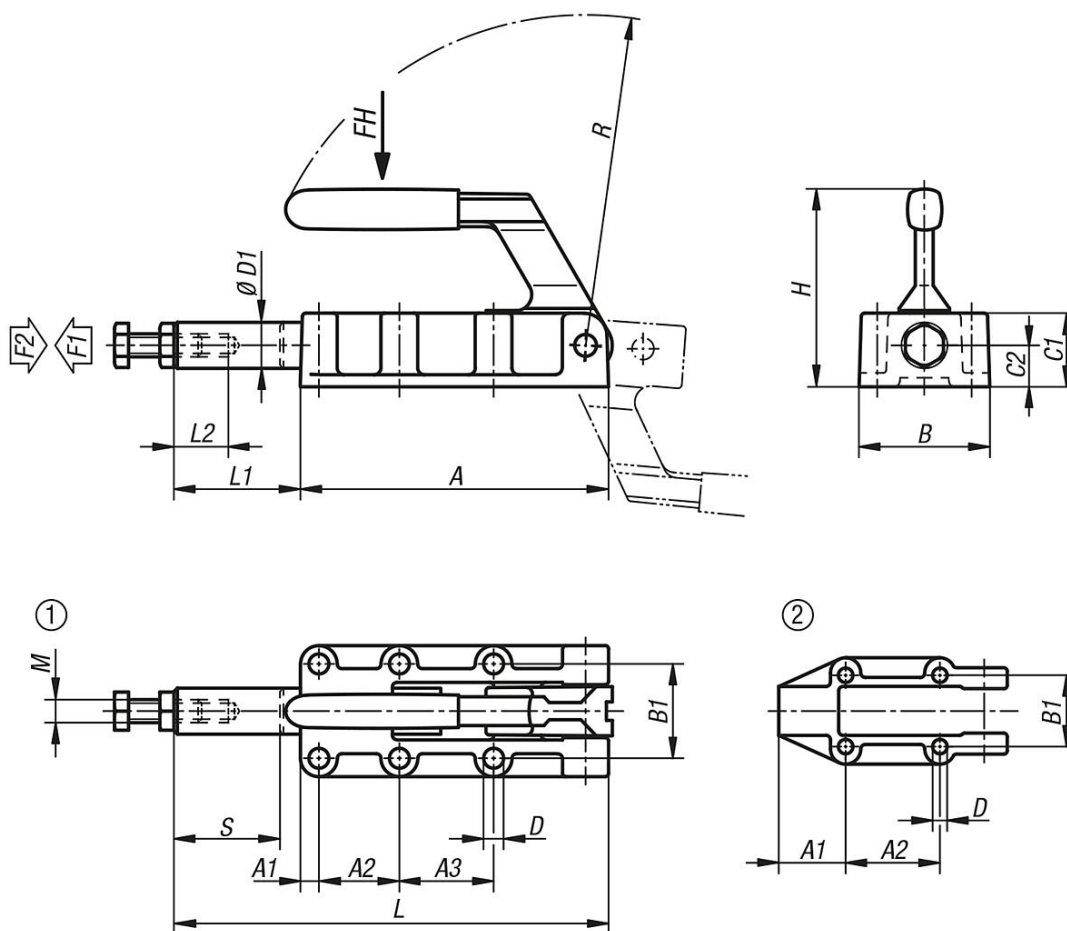
Phosphated, plastic handle oil-resistant

Note:

The clamps lock in the open and closed handle positions. They can be used for thrust or tension clamping.

These clamps also have travel limitation for advance and retraction.

Drawings



Overview of items

Order No.	hole arrangement	Opening angle of handle	Hand force FH N	Retaining force F2 N	Clamping force F1 N
05840-06001	2	185°	140	6000	3000
05840-12001	1	185°	150	12000	5000
05840-25001	1	185°	170	25000	5000
05840-50001	1	185°	200	50000	7000

## Overview of items

Order No.	A	A1	A2	A3	B	B1	C1	C2	D	D1	H	L	L1	L2	M	R	Travel S
05840-06001	89	25	36,5	-	46	33,4	23	12	5,5	14	63	127	38	30	M8	95	32
05840-12001	133	8	35	41	61	41	32	18	8,5	20	88	188	55	40	M10	143	50
05840-25001	197	11	45	45	82	54	41	22	10,3	25	108	300	103	60	M12	200	75
05840-50001	254	10	70	70	85	57	50	28	10,3	30	127	390	136	60	M16	245	100