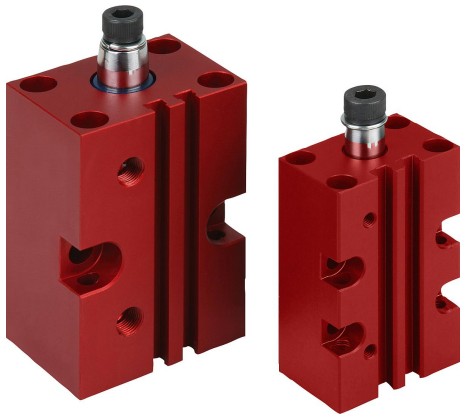
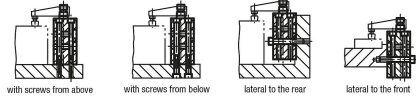


Item description/product images



Examples:



with screws from above

with screws from below

lateral to the rear

lateral to the front

Description

Material:

Body aluminium.

Double-acting piston rod stainless steel.

Version:

Body, red anodised.

Double acting piston rod, polished.

Note:

Swing clamps are used where low clamping forces suffice or where the clamping point must be free when mounting and removing the workpiece. The block form of the housing offers universal fastening possibilities. The magnetic piston is primed for electrical end position feedback.

Including screw and lock washer for fastening the clamping arms (accessories).

The swing action of the clamp should not be blocked.

F1 = at 6 bar (max. operating pressure).

On request:

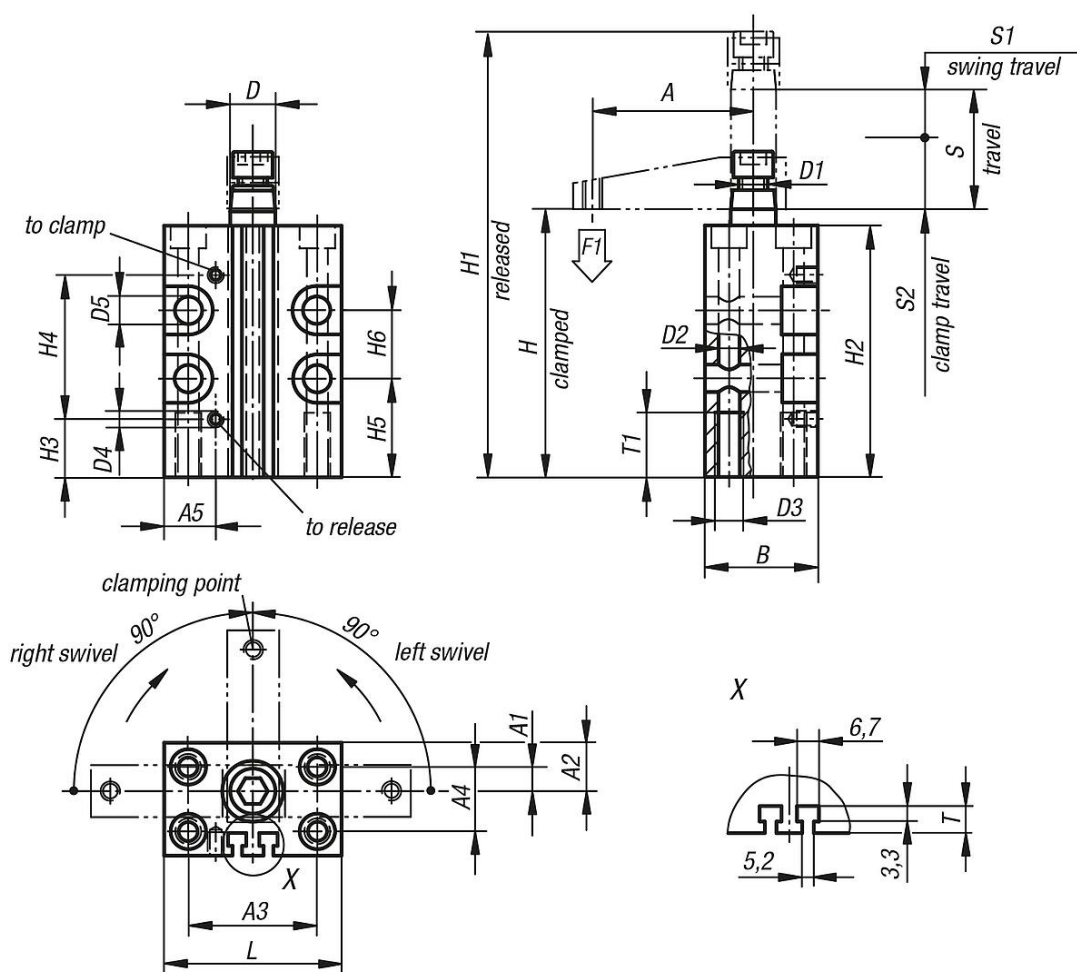
Proximity switch.

Accessory:

- Clamping arm 05620

- Adapter 05625

Drawings



Overview of items

Order No.	Version 2	Size	A	A1	A2	A3	A4	A5	B	D	D1	D2	D3	D4	D5
05610-250	swivel to the left	50	80	21,5	31	66	46	25	65	20	M10	8,5	M10	G1/8	10,5

Order No.	Version 2	Size	H	H1	H2	H3	H4	H5	H6	L	T	T1	Travel S	S1	S2	F1 kN
05610-250	swivel to the left	50	106	162	100	25	53,5	45	-	85	6,5	30	30	15	15	-