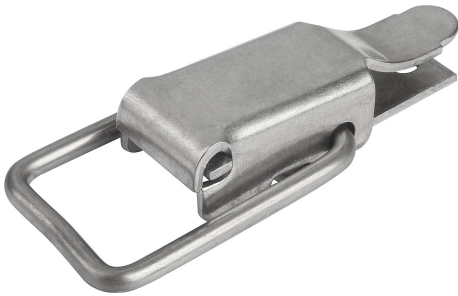


Item description/product images



Description

Material:

Steel or stainless steel 1.4301.

Version:

Electro zinc-plated, thick-film passivated and top coat sealed.
Stainless steel, bright.

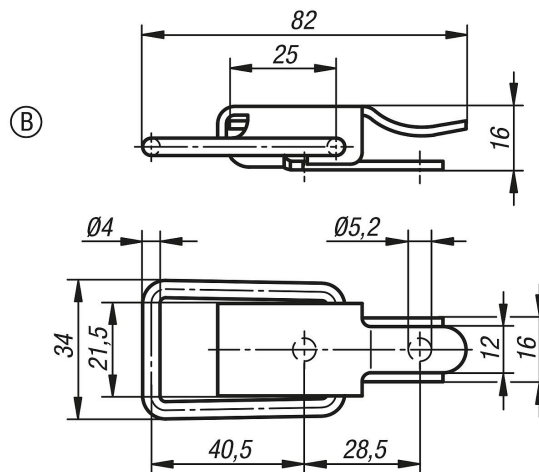
Note:

Latches with draw bail for securing and locking hatches, container lids, machine cladding etc. By exceeding the dead centre they resist vibration.
The locking force is applied by drawing on the bail.

The latches can be screwed down or riveted. We recommend using countersunk screws for fastening the components.

Order catch plates separately.

Drawings



Overview of items

Order No.	Main material	Form
05531-2520821	steel	B
05531-2520822	stainless steel	B