

## Item description/product images

**Description****Material:**

Steel plate DD11 1.0332.

**Version:**

Steel parts electro zinc-plated.

Hinge pins tempered.

Plastic handle oil-resistant.

**Note:**

Screws not supplied.

**Accessory:**

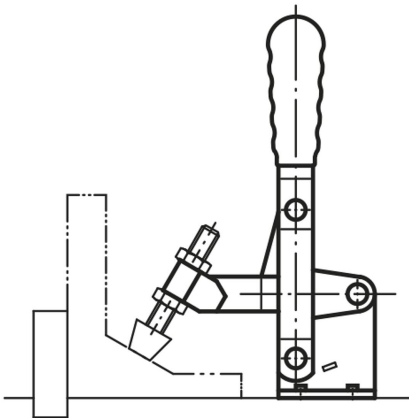
05200 Plastic grips

05280 Protective caps

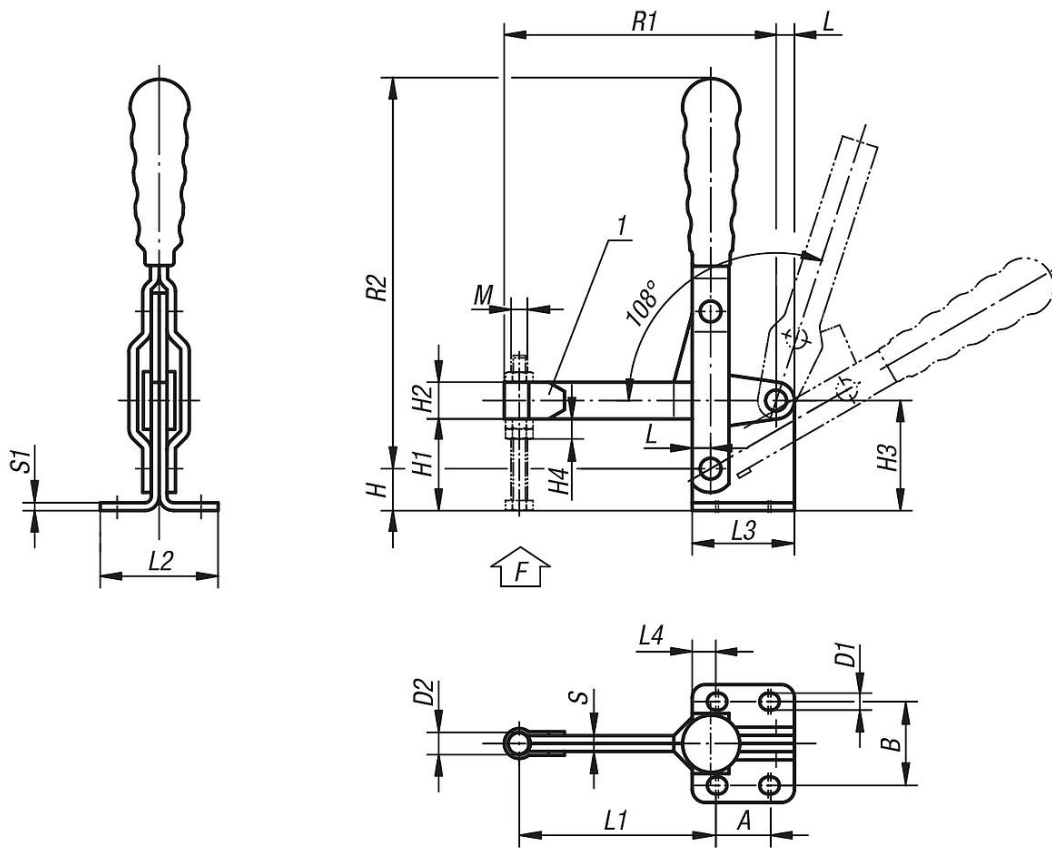
05899 Force sensor for toggle clamps

**Drawing reference:**

1) Weldable



Drawings



Overview of items

Order No.	L	L1	L2	L3	L4	B	H	H1	H2	H3	H4	A min.	A max.	M	D1	D2	R1	R2	S	S1	F kN	Plastic grips
05020-081	7	75	45	39	9	32	16	35	14	42	12	19	21	M8	6,5	8,5	103	143	6	3	2,2	05200-115
05020-101	8	92	56	43	7,5	38	20	39	18	48	16	26	28	M10	8,5	10,5	125	177	7	3,5	3,4	05200-120
05020-121	10	122	68	50	9	45	25	45	22	56	19	32	32	M12	8,5	12,5	159	215	8	4	4,5	05200-135