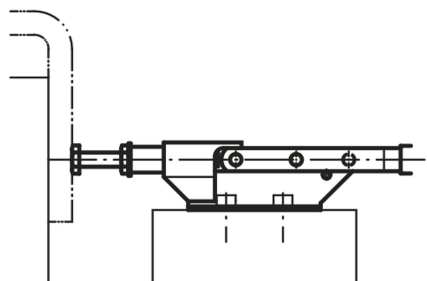


Item description/product images



Description

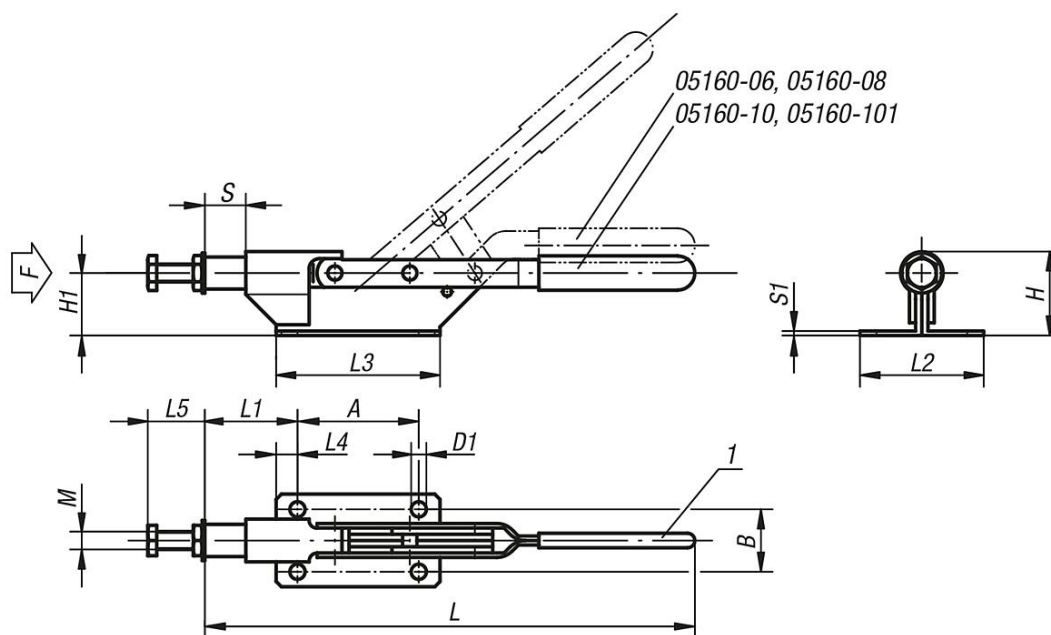
Material:
Steel plate DD11 1.0332.

Version:
Steel parts electro zinc-plated.
Hinge pins tempered.
Plastic handle oil-resistant.

Note:
The 05160-06 and 05160-08 versions have a swan-necked clamping lever.
See 05200 – 05280 for accessories.

Drawing reference:
1) plastic grip 05200

Drawings



Overview of items

Order No.	L	L1	L2	L3	L4	L5 min.	L5 max.	B	H	H1	A	M=clamping spindle	D1	S1	Travel S	F kN	Plastic grips
05160-06	178	40	40	75	10	13	23	28	33	26,2	55	M6	6	2	15	1	05200-110
05160-08	255	49	45	85	12,5	14	26	30	42	31,5	60	M8	6,5	2,5	22	2	05200-125
05160-10	275	52	52	92	12	25	35	35	47	35,5	68	M10	8,5	2,5	22	3	05200-125
05160-101	300	62	58	100	12,5	25	36	40	59	50	75	M10	9	3	26	4	05200-135