



## Description

### Material:

Steel.  
Grip polyamide.  
Unlocking bracket TPE.

### Version:

Carbonitrided and black oxidised.

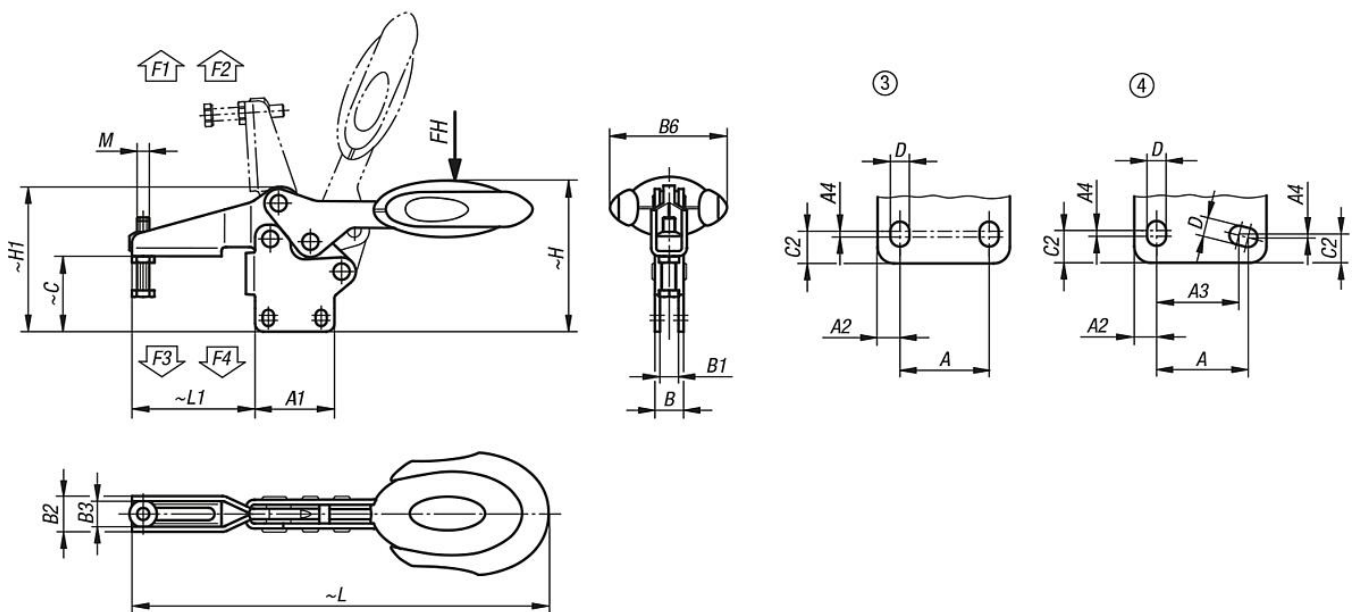
### Note:

Maintenance-free high quality link bushings. Sustainable constant force during opening and closing. Optimum stability through the conical, U-profile clamping arm. Including internal bar lock with automatic safety catch.

### Accessory:

- 05280 Protective caps
- 07110 Ball-end thrust screws
- 07117 Grippers, adjustable
- 07120 Grub screws with thrust point DIN 6332
- 07121 Grub screws with ball thrust point
- 07140 Thrust pads DIN 6311
- 07142 Thrust pads

## Drawings



## Overview of items

Order No.	hole arrangement	Opening angle of holding arm	Opening angle of handle	Hand force FH N	Retaining force F1 N	Retaining force F2 N	Clamping force F3 N	Clamping force F4 N
05904-006102	3	86°	67°	160	1350	1900	720	1200
05904-008102	3	86°	67°	200	2000	2800	830	1400
05904-010102	3	90°	71°	250	2200	4500	1200	2800
05904-012102	4	88°	68°	280	2400	5500	1000	2800

# 05904 Toggle clamps horizontal with safety interlock with straight foot and adjustable clamping spindle



## Overview of items

Order No.	M	A	A1	A2	A3	A4	B	B1	B2	B3	B6	C	C2	D	H	H1	L	L1
05904-006102	M6x35	26	39	6,5	-	2,5	14,1	9,1	17,5	12,5	53,4	36,9	8	5,5	75,2	71	193,3	60,5
05904-008102	M8x45	26	44	9	-	3,5	14,1	9,1	21	16	51,1	46,5	10,5	6,2	88,2	84,3	230,4	74,9
05904-010102	M10x55	41,5	59	9	-	2	16,2	9,2	26	19	56,5	59,6	10	8,8	114,3	107,5	286	103,9
05904-012102	M12x70	44	65	11	40	1	16,2	9,2	28	21	56,5	75,9	13,5	8,5	128,4	125,2	321,3	122