

Description

Material:

Steel.
Grip polyamide.
Unlocking bracket TPE.

Version:

Carbonitrided and black oxidised.

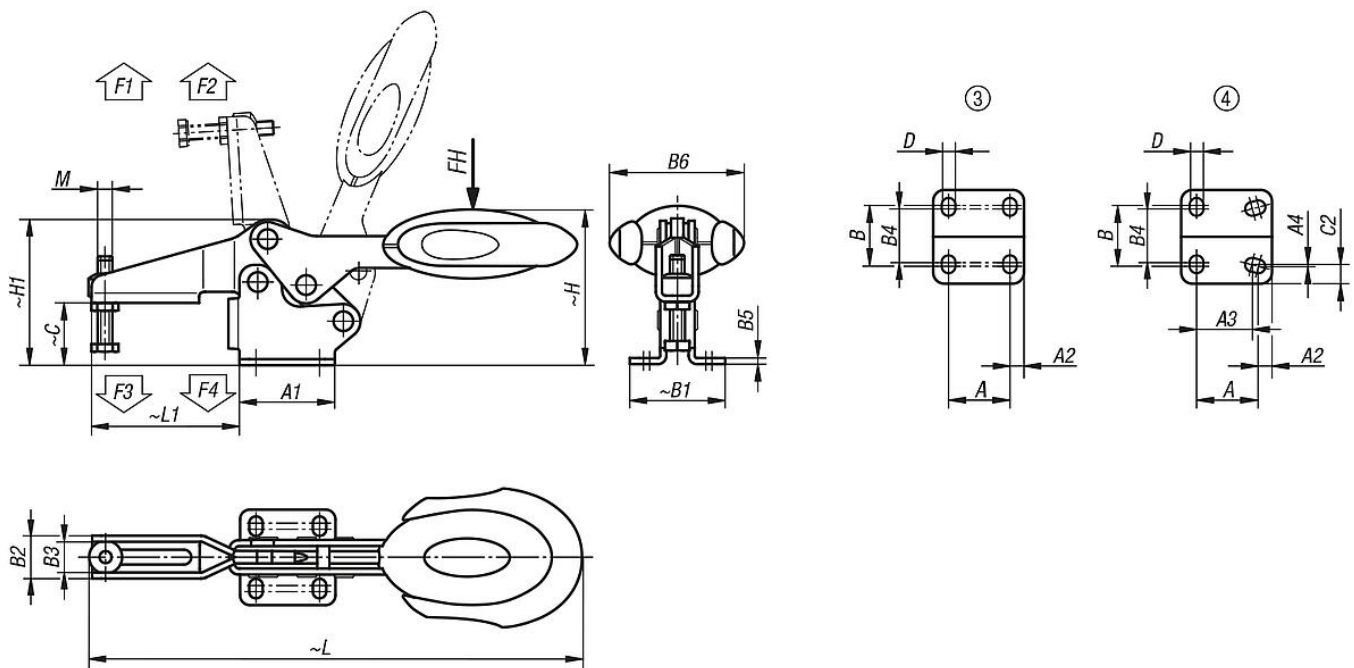
Note:

Maintenance-free high quality link bushings. Sustainable constant force during opening and closing. Optimum stability through the conical, U-profile clamping arm. Including internal bar lock with automatic safety catch.

Accessory:

- 05280 Protective caps
- 05880 Angle brackets
- 07110 Ball-end thrust screws
- 07117 Grippers, adjustable
- 07120 Grub screws with thrust point DIN 6332
- 07121 Grub screws with ball thrust point
- 07140 Thrust pads DIN 6311
- 07142 Thrust pads

Drawings



05900 Toggle clamps horizontal with safety interlock with flat foot and adjustable clamping spindle



Overview of items

Order No.	hole arrangement	Opening angle of holding arm	Opening angle of handle	Hand force FH N	Retaining force F1 N	Retaining force F2 N	Clamping force F3 N	Clamping force F4 N	Order No. Angle bracket
05900-006102	3	86°	67°	160	1350	1900	720	1200	05880-04
05900-008102	3	86°	67°	200	2000	2800	830	1400	05880-04
05900-010102	3	90°	71°	250	2200	4500	1200	2800	05880-06
05900-012102	4	88°	68°	280	2400	5500	1000	2800	05880-06

Order No.	M	A	A1	A2	A3	A4	B	B1	B2	B3	B4	B5	B6	C	C2	D	H	H1	L	L1
05900-006102	M6x35	26	39	6,5	-	-	28	39	17,5	12,5	23	2,5	53,4	25,4	-	5,5	63,7	59,6	193,3	60,5
05900-008102	M8x45	26	44	9	-	-	31	45	21	16	24	2,5	51,1	32,2	-	6,2	73,9	70,1	230,4	74,9
05900-010102	M10x55	41,5	59	8,5	-	-	43	59	26	19	39	3,5	56,5	40	-	8,8	94,8	88	286	103,9
05900-012102	M12x70	44	65	10	40	1	42	67	28	21	40	3,5	56,5	52,3	13,5	8,5	104,8	101,6	321,3	122