



Description

Material:

Stainless steel.
Grip polyamide.
Unlocking bracket TPE.

Version:

Bright.

Note:

Maintenance-free high quality link bushings. Sustainable constant force during opening and closing. Optimum stability through the conical, U-profile clamping arm. Including internal bar lock with automatic safety catch.

Accessory:

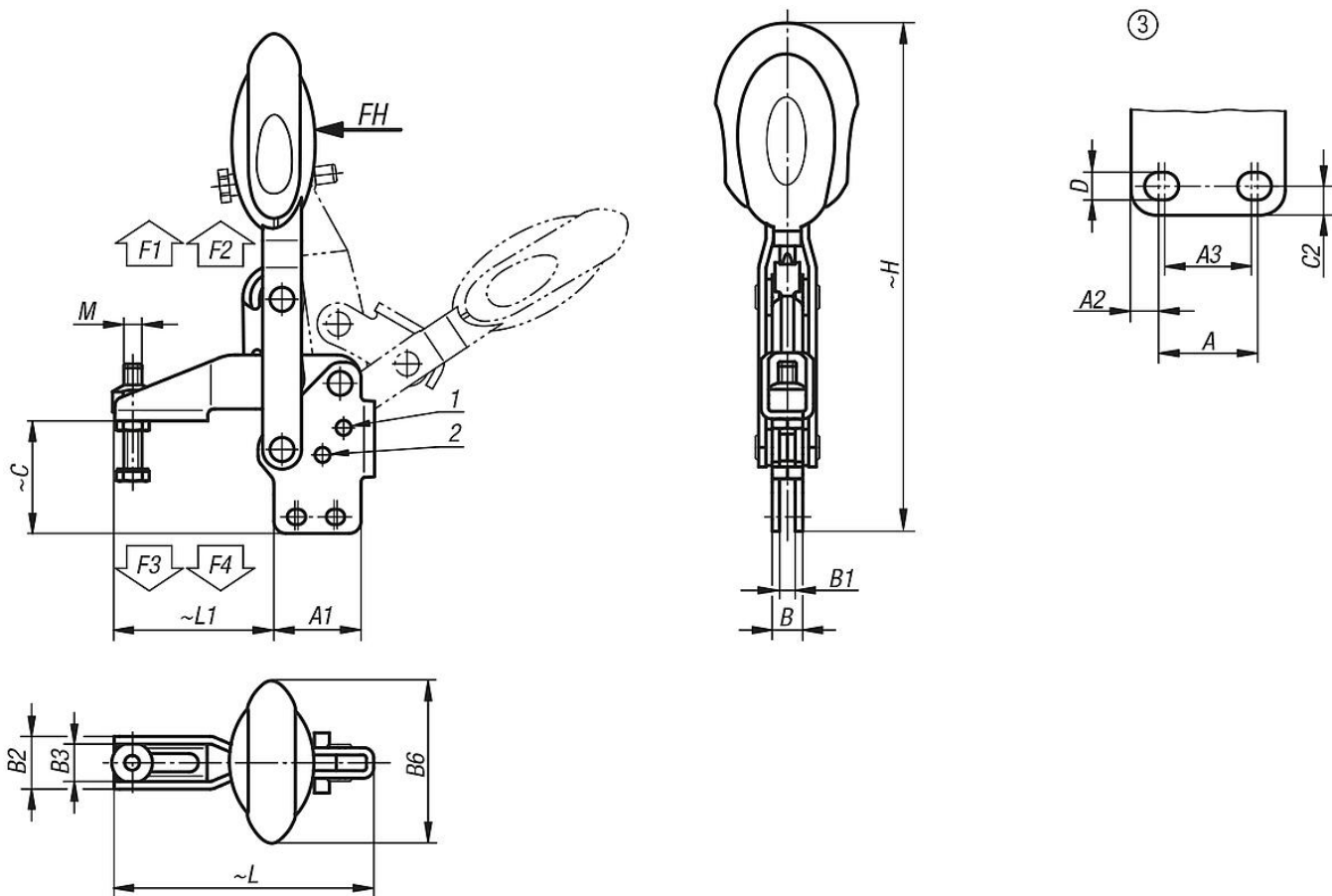
05280 Protective caps
07111 Ball-end thrust screws, stainless steel
07119 Thrust screws, stainless steel
07120 Grub screws with thrust point DIN 6332
07140 Thrust pads DIN 6311

Drawing reference:

1) stop pin position 1
2) stop pin position 2

05912 Toggle clamps vertical with safety interlock with straight foot and adjustable clamping spindle, stainless steel

Drawings



Overview of items

Order No.	Opening angle holding arm position 1	Opening angle holding arm position 2	Opening angle holding arm stop pin removed	Opening angle handle position 1	Opening angle handle position 2	Hand force FH N	Retaining force F1 N	Retaining force F2 N	Clamping force F3 N	Clamping force F4 N
05912-106102	56°	83°	141°	46°	56°	160	1350	1650	920	1050
05912-108102	13°	93°	158°	26°	61°	190	2000	2800	940	1350

Order No.	hole arrangement	M	A	A1	A2	A3	B	B1	B2	B3	B6	C	C2	D	H	L	L1
05912-106102	3	M6x35	14	29	7	12	10,2	5,2	17,5	12,5	53,4	37,6	5,5	5,5	175,7	86,5	53
05912-108102	3	M8x45	21	39	9	19	10,2	5,2	20,6	15,6	51,1	49	6,5	6,8	207,6	107	62