

Description

Material:

Stainless steel.
Grip polyamide.

Version:

Bright.

Note:

Maintenance-free high quality link bushings. Sustainable constant use of force during opening and closing. Optimum stability through the conical, U-profile clamping arm.

Accessory:

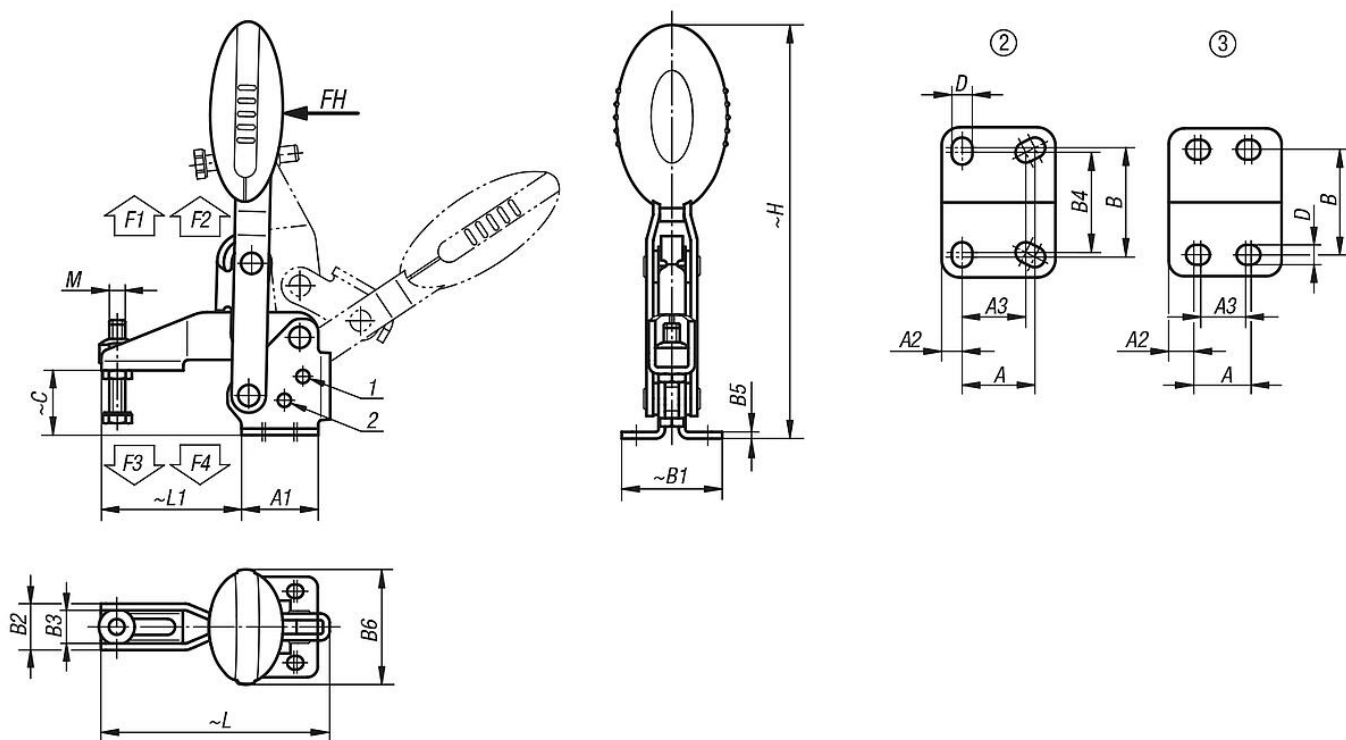
05280 Protective caps
07111 Ball-end thrust screws, stainless steel
07119 Thrust screws, stainless steel
07120 Grub screws with thrust point DIN 6332
07140 Thrust pads DIN 6311

Drawing reference:

- 1) stop pin position 1
- 2) stop pin position 2

05908 Toggle clamps vertical with flat foot and adjustable clamping spindle, stainless steel

Drawings



Overview of items

Order No.	Opening angle holding arm position 1	Opening angle holding arm position 2	Opening angle holding arm stop pin removed	Opening angle handle position 1	Opening angle handle position 2	Opening angle handle stop pin removed
05908-105002	100°	-	147°	64°	-	83°
05908-106002	56°	83°	152°	46°	56°	83°
05908-108002	13°	93°	158°	26°	61°	86°

Order No.	hole arrangement	M	A	A1	A2	A3	B	B1	B2	B3	B4	B5	B6	C	D	H	L	L1
05908-105002	2	M5x25	16	25	4,5	14	24	33	13,2	9,2	22	2	22,5	18	4,5	107,4	65,6	35
05908-106002	3	M6x35	14	29	7	12	27	38	17,5	12,5	-	2,5	43,5	24,9	5,5	156,3	86,5	53
05908-108002	3	M8x45	21	39	9	19	32	45	20,6	15,6	-	2,5	41,5	32,7	6,8	184,2	107	62