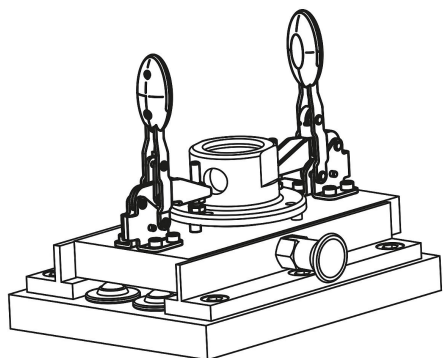


Item description/product images



Description

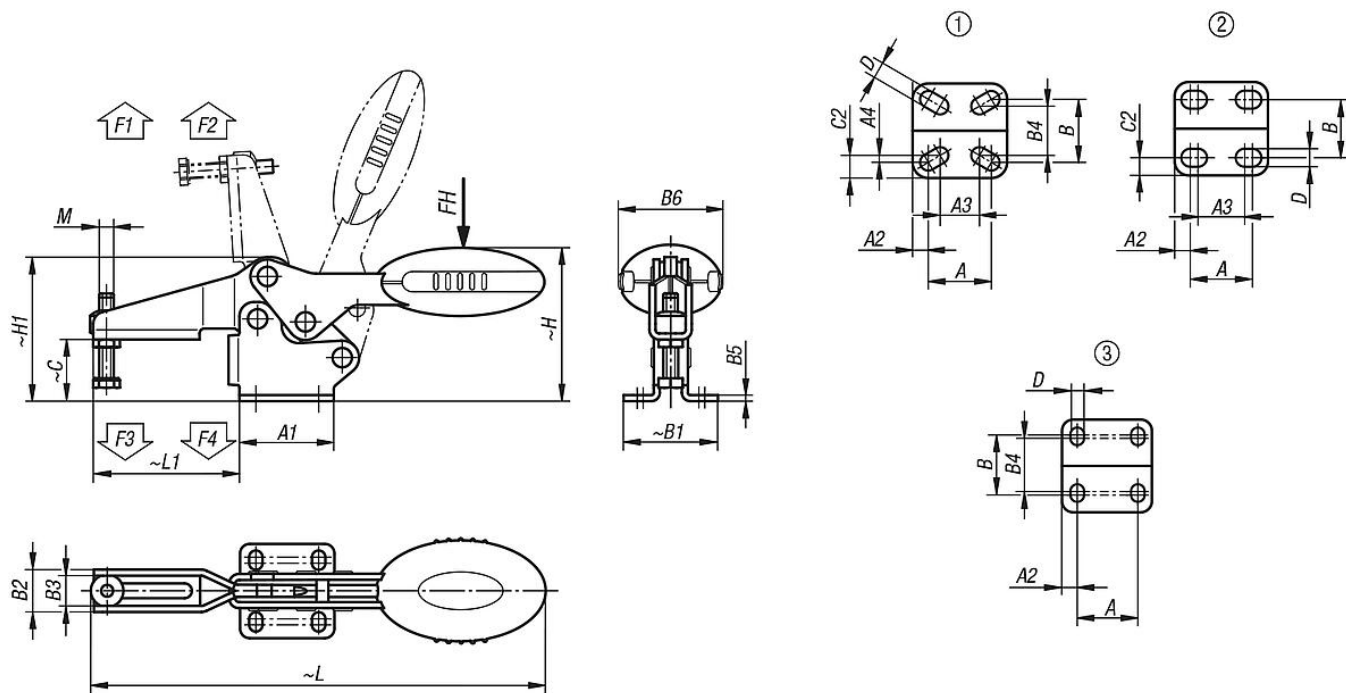
Material:
Stainless steel.
Grip polyamide.

Version:
Bright.

Note:
Maintenance-free high quality link bushings. Sustainable constant use of force during opening and closing. Optimum stability through the conical, U-profile clamping arm.

Accessory:
05280 Protective caps
07111 Ball-end thrust screws, stainless steel
07119 Thrust screws, stainless steel
07120 Grub screws with thrust point DIN 6332
07140 Thrust pads DIN 6311

Drawings



Overview of items

| Order No. | hole arrangement | Opening angle of holding arm | Opening angle of handle | Hand force FH N | Retaining force F1 N | Retaining force F2 N | Clamping force F3 N | Clamping force F4 N |
|--------------|------------------|------------------------------|-------------------------|-----------------|----------------------|----------------------|---------------------|---------------------|
| 05900-104002 | 1 | 87° | 69° | 80 | 400 | 500 | 250 | 300 |
| 05900-105002 | 2 | 86° | 67° | 100 | 650 | 900 | 550 | 620 |
| 05900-106002 | 3 | 86° | 67° | 160 | 1350 | 1900 | 720 | 1200 |
| 05900-108002 | 3 | 86° | 67° | 200 | 2000 | 2800 | 830 | 1400 |

05900 Toggle clamps horizontal with flat foot and adjustable clamping spindle, stainless steel



Overview of items

| Order No. | M | A | A1 | A2 | A3 | A4 | B | B1 | B2 | B3 | B4 | B5 | B6 | C | C2 | D | H | H1 | L | L1 |
|--------------|-------|----|----|-----|------|------|------|------|------|------|------|-----|------|------|------|-----|------|------|-------|------|
| 05900-104002 | M4x16 | 16 | 24 | 4 | 12,8 | 0,95 | 16 | 24 | 10,2 | 7,2 | 12,5 | 1,5 | 20 | 11,7 | 4,95 | 4,2 | 28,7 | 26,3 | 91,8 | 23,7 |
| 05900-105002 | M5x25 | 18 | 27 | 4,5 | 13,5 | - | 16,8 | 27,3 | 13,2 | 9,2 | - | 2 | 22,5 | 17,2 | 5,25 | 5,5 | 43,4 | 38,9 | 125,7 | 41,8 |
| 05900-106002 | M6x35 | 26 | 39 | 6,5 | - | - | 28 | 39 | 17,5 | 12,5 | 23 | 2,5 | 43,5 | 25,4 | - | 5,5 | 63,7 | 59,6 | 186,6 | 60,5 |
| 05900-108002 | M8x45 | 26 | 44 | 9 | - | - | 31 | 45 | 21 | 16 | 24 | 2,5 | 41,5 | 32,2 | - | 6,2 | 73,9 | 70,1 | 223,1 | 74,9 |