

Item description/product images

**Description****Material:**

Pull handle, oval aluminium EN AW-6060.
Locating pin steel.
Blanking disc steel.

Version:

Pull handle black powder-coated.
Locating pin and blanking disc black oxidised.

Note:

The pull handles are mounted on an object by a push-fit system.
Dismantling is carried out when no load is applied.

Application:

Insert the pull handle into the opening until the grip makes contact with the blanking disc.

Lock by holding the handle parallel and pulling up.

The grip can only be subject to vertical loads.

To release, follow the previous instructions in reverse.

Assembly:

An object must be prepared before the blanking disc can be mounted.
See mounting instructions drawing.

Drawing reference:

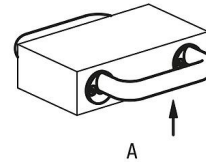
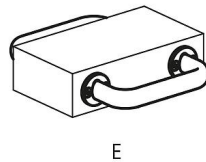
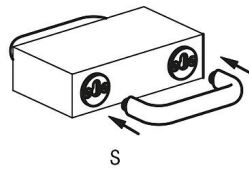
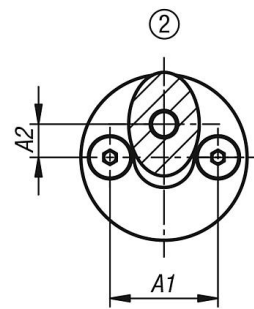
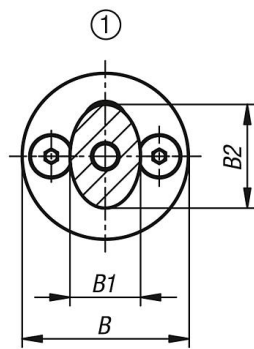
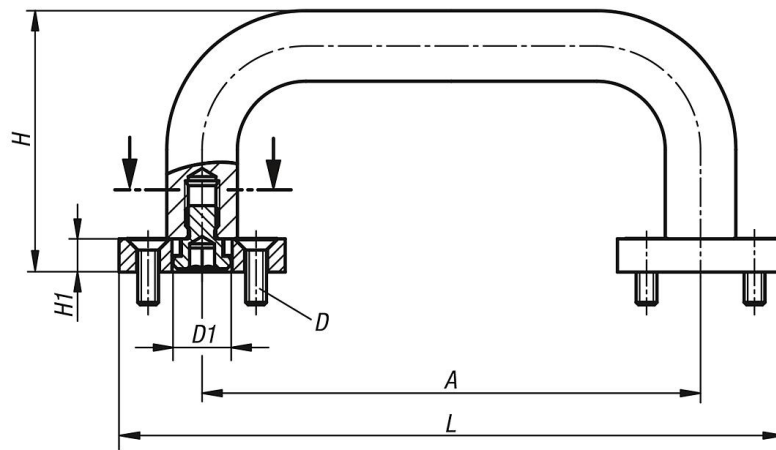
- 1) Position disengaged
- 2) Position engaged

S = insert

E = engage

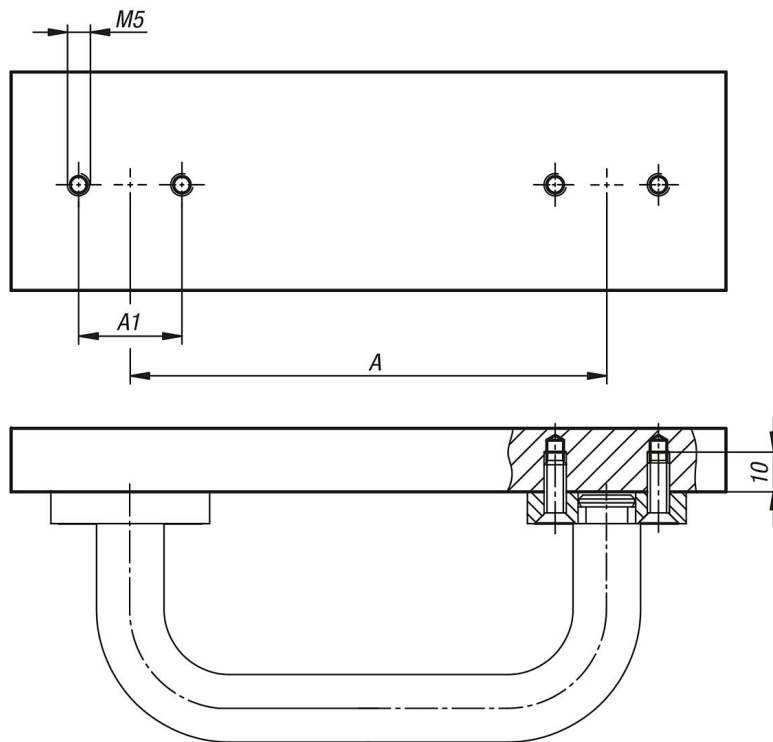
A = lift

Drawings



Drawings

mounting instructions:



Overview of items

Order No.	A	A1	A2	B	B1	B2	D	D1	H	H1	L	Load capacity N
06920-10012001	100	24	7	35	13	21	M5x16	12	58	8	135	1000
06920-11212001	112	24	7	35	13	21	M5x16	12	58	8	147	1000
06920-11214001	112	26	8	40	15	25	M5x16	14	63	8	152	1000
06920-12012001	120	24	7	35	13	21	M5x16	12	58	8	155	1000
06920-12014001	120	26	8	40	17	25	M5x16	14	63	8	160	1000
06920-12812001	128	24	7	35	13	21	M5x16	12	58	8	163	1000
06920-12814001	128	26	8	40	17	25	M5x16	14	63	8	168	1000
06920-16012001	160	24	7	35	13	21	M5x16	12	58	8	195	1000
06920-16014001	160	26	8	40	17	25	M5x16	14	63	8	200	1000
06920-18014001	180	26	8	40	17	25	M5x16	14	63	8	220	1000
06920-19214001	192	26	8	40	17	25	M5x16	14	63	8	232	1000
06920-35014001	350	26	8	40	17	25	M5x16	14	63	8	390	1000