

Item description/product images



Description

Material:

Handle stainless steel 1.4305.
Fasteners stainless steel 1.4301.

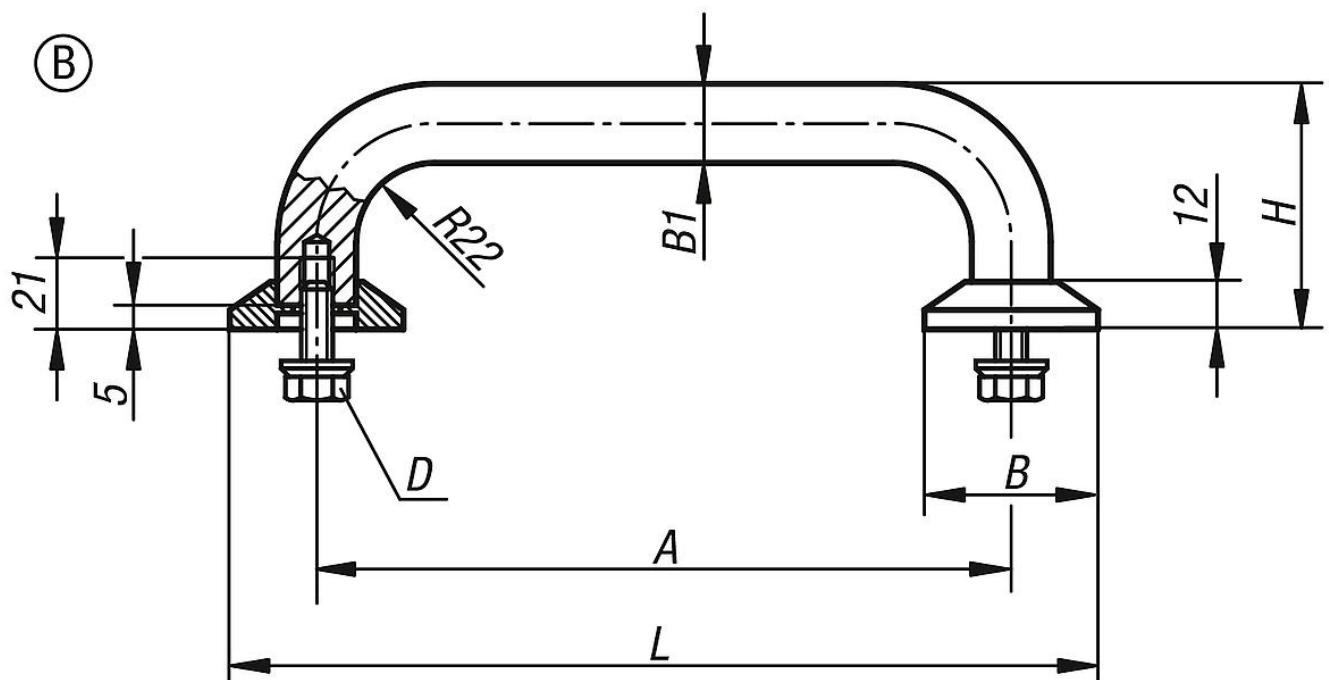
Version:

Ground and satin brushed finish.

Note:

These stainless steel pull handles are ideal for all technical applications where highest load and high chemical or corrosive resistance is required.

Drawings



Overview of items

Order No.	Form	A	B	B1	D	H	L	Load capacity N
06931-2002	B	200	50	20	M8	75	250	1000
06931-2502	B	250	50	20	M8	75	300	1000