



Description

Material:

Handle fibreglass reinforced plastic, toothed ring die-cast zinc.
Steel parts grade 5.8.
Push button plastic (POM).

Version:

Steel parts black oxidised.

Note:

Δ Enter the desired lever colour here.
The standard colours are:
Black grey clamping lever, traffic red push button.
Orange clamping lever, black grey push button.
Traffic red clamping lever, black grey push button.

Where $L \geq 60$ mm the thread length is always 60 mm.

On request:

Other threads, screw lengths and special versions.
Dimension "H1" available in other lengths at extra charge.

Drawing reference:

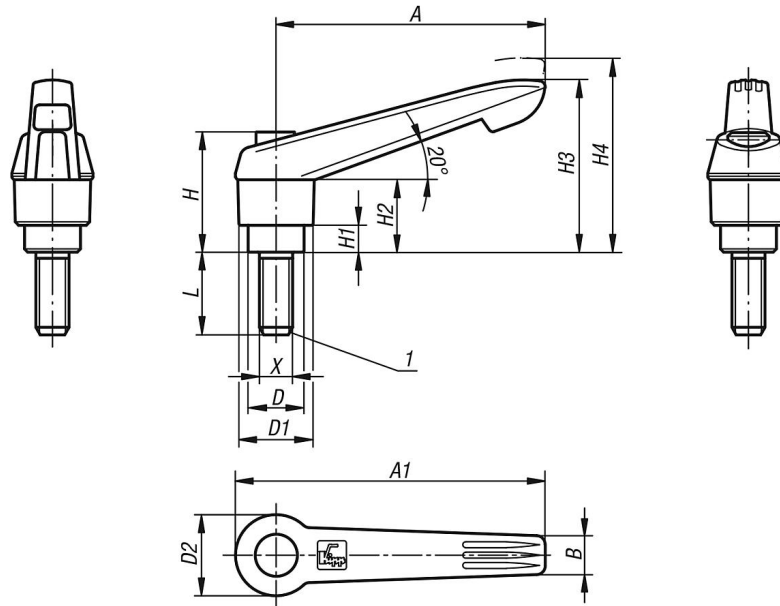
1) flat point DIN EN ISO 4753

06610 Clamping levers, plastic with external thread and push button, threaded insert black oxidised steel

Item description/product images



Drawings



Overview of items

Order No.	Main colour	Size	X	D	D1	D2	H	H1	H2	H3	H4	A	A1	B	No. of teeth	L
06610-71105X10	black grey RAL 7021	1	M5	10	13	14,5	25,5	4	15	30	33,5	40	47	7,5	16	10
06610-71105X15	black grey RAL 7021	1	M5	10	13	14,5	25,5	4	15	30	33,5	40	47	7,5	16	15
06610-71105X20	black grey RAL 7021	1	M5	10	13	14,5	25,5	4	15	30	33,5	40	47	7,5	16	20
06610-71105X25	black grey RAL 7021	1	M5	10	13	14,5	25,5	4	15	30	33,5	40	47	7,5	16	25
06610-71105X30	black grey RAL 7021	1	M5	10	13	14,5	25,5	4	15	30	33,5	40	47	7,5	16	30
06610-71105X35	black grey RAL 7021	1	M5	10	13	14,5	25,5	4	15	30	33,5	40	47	7,5	16	35
06610-71105X40	black grey RAL 7021	1	M5	10	13	14,5	25,5	4	15	30	33,5	40	47	7,5	16	40
06610-71105X45	black grey RAL 7021	1	M5	10	13	14,5	25,5	4	15	30	33,5	40	47	7,5	16	45
06610-71105X50	black grey RAL 7021	1	M5	10	13	14,5	25,5	4	15	30	33,5	40	47	7,5	16	50
06610-72105X10	orange RAL 2004	1	M5	10	13	14,5	25,5	4	15	30	33,5	40	47	7,5	16	10
06610-72105X15	orange RAL 2004	1	M5	10	13	14,5	25,5	4	15	30	33,5	40	47	7,5	16	15
06610-72105X20	orange RAL 2004	1	M5	10	13	14,5	25,5	4	15	30	33,5	40	47	7,5	16	20
06610-72105X25	orange RAL 2004	1	M5	10	13	14,5	25,5	4	15	30	33,5	40	47	7,5	16	25
06610-72105X30	orange RAL 2004	1	M5	10	13	14,5	25,5	4	15	30	33,5	40	47	7,5	16	30
06610-72105X35	orange RAL 2004	1	M5	10	13	14,5	25,5	4	15	30	33,5	40	47	7,5	16	35
06610-72105X40	orange RAL 2004	1	M5	10	13	14,5	25,5	4	15	30	33,5	40	47	7,5	16	40
06610-72105X45	orange RAL 2004	1	M5	10	13	14,5	25,5	4	15	30	33,5	40	47	7,5	16	45
06610-72105X50	orange RAL 2004	1	M5	10	13	14,5	25,5	4	15	30	33,5	40	47	7,5	16	50
06610-73105X10	traffic red RAL 3020	1	M5	10	13	14,5	25,5	4	15	30	33,5	40	47	7,5	16	10
06610-73105X15	traffic red RAL 3020	1	M5	10	13	14,5	25,5	4	15	30	33,5	40	47	7,5	16	15
06610-73105X20	traffic red RAL 3020	1	M5	10	13	14,5	25,5	4	15	30	33,5	40	47	7,5	16	20
06610-73105X25	traffic red RAL 3020	1	M5	10	13	14,5	25,5	4	15	30	33,5	40	47	7,5	16	25
06610-73105X30	traffic red RAL 3020	1	M5	10	13	14,5	25,5	4	15	30	33,5	40	47	7,5	16	30
06610-73105X35	traffic red RAL 3020	1	M5	10	13	14,5	25,5	4	15	30	33,5	40	47	7,5	16	35
06610-73105X40	traffic red RAL 3020	1	M5	10	13	14,5	25,5	4	15	30	33,5	40	47	7,5	16	40
06610-73105X45	traffic red RAL 3020	1	M5	10	13	14,5	25,5	4	15	30	33,5	40	47	7,5	16	45
06610-73105X50	traffic red RAL 3020	1	M5	10	13	14,5	25,5	4	15	30	33,5	40	47	7,5	16	50
06610-71106X10	black grey RAL 7021	1	M6	10	13	14,5	25,5	4	15	30	33,5	40	47	7,5	16	10

