

Item description/product images

**Description****Material:**

Tray handle in aluminium profile, end caps polyamide;
form A: mounting by rubber insert

Version:

Handle glass-bead blasted, satin finish and anodised black or natural colour.
Rubber profile black.
Fastening screws electro zinc-plated.

Note:

The Tray Handles form A can be used without screw mounting with sheet strengths of 1-2.5 mm. Two rubber inserts ensure absolutely firm mounting.

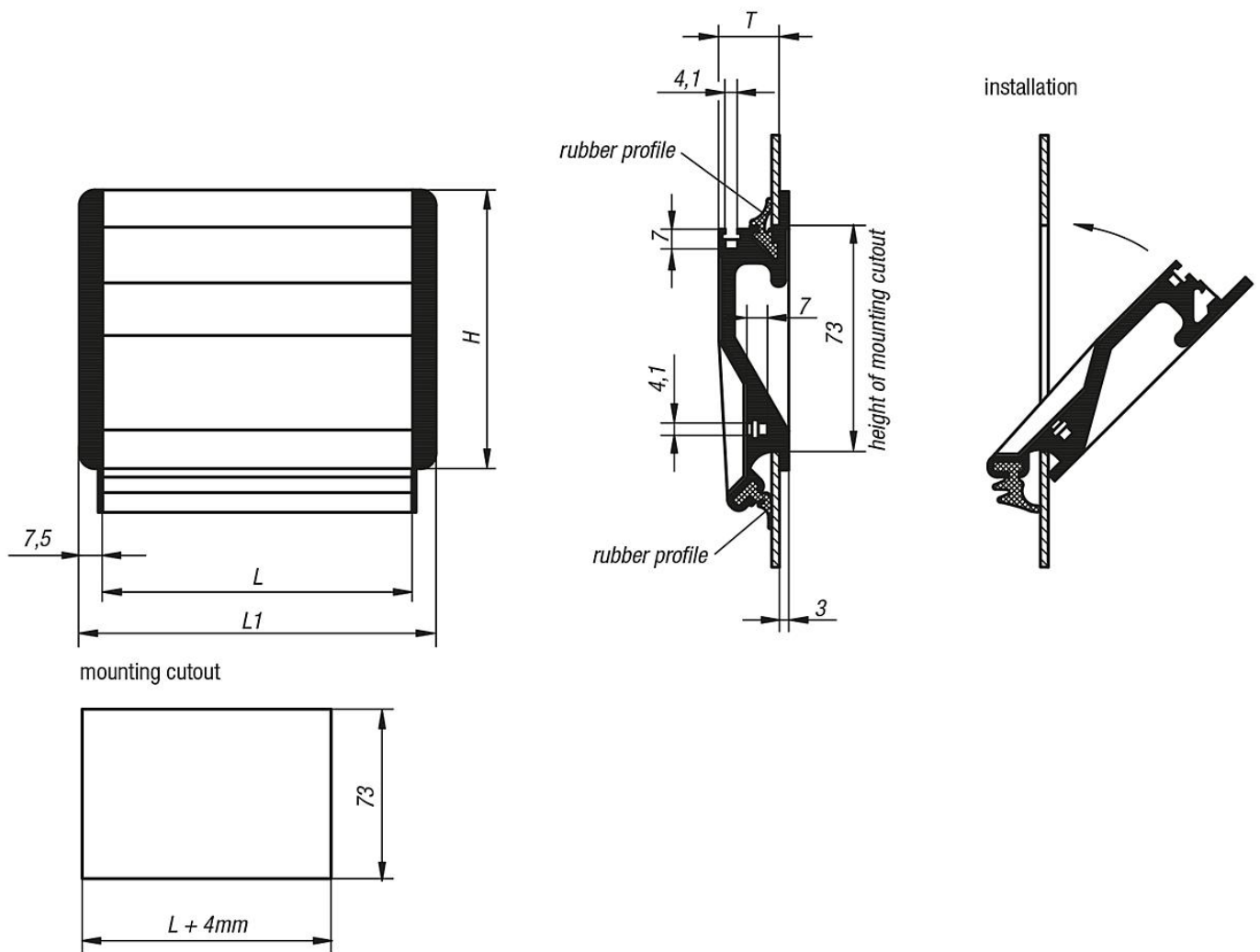
Two cross-slots offset by 90° for M4 screws allow earth/ground connection and can serve as a mounting aid for additional add-on parts.

Assembly:

After fitting the lower rubber profile, press the two side caps onto the handle. Next press the handle over the lower edge of the mounting cutout at a 45° angle and then push it up against the housing panel.

Now, depending on which type is being used, push the 2nd rubber profile into the upper groove or fix in place with 2 countersunk screws.

Drawings



Overview of items

Order No. black	Order No. natural	Form	Version 2	H	L	L1	T	Mounting cutout	Load capacity N
06960-10011	06960-10013	A	plug-in	90	100	115	19,5	104 x 73	500
06960-11811	06960-11813	A	plug-in	90	118	133	19,5	122 x 73	500
06960-16711	06960-16713	A	plug-in	90	167	182	19,5	171 x 73	500