

Item description/product images



Description

Material:

Profile aluminium EN AW-6060

Version:

Matt-gloss anodised.

Note:

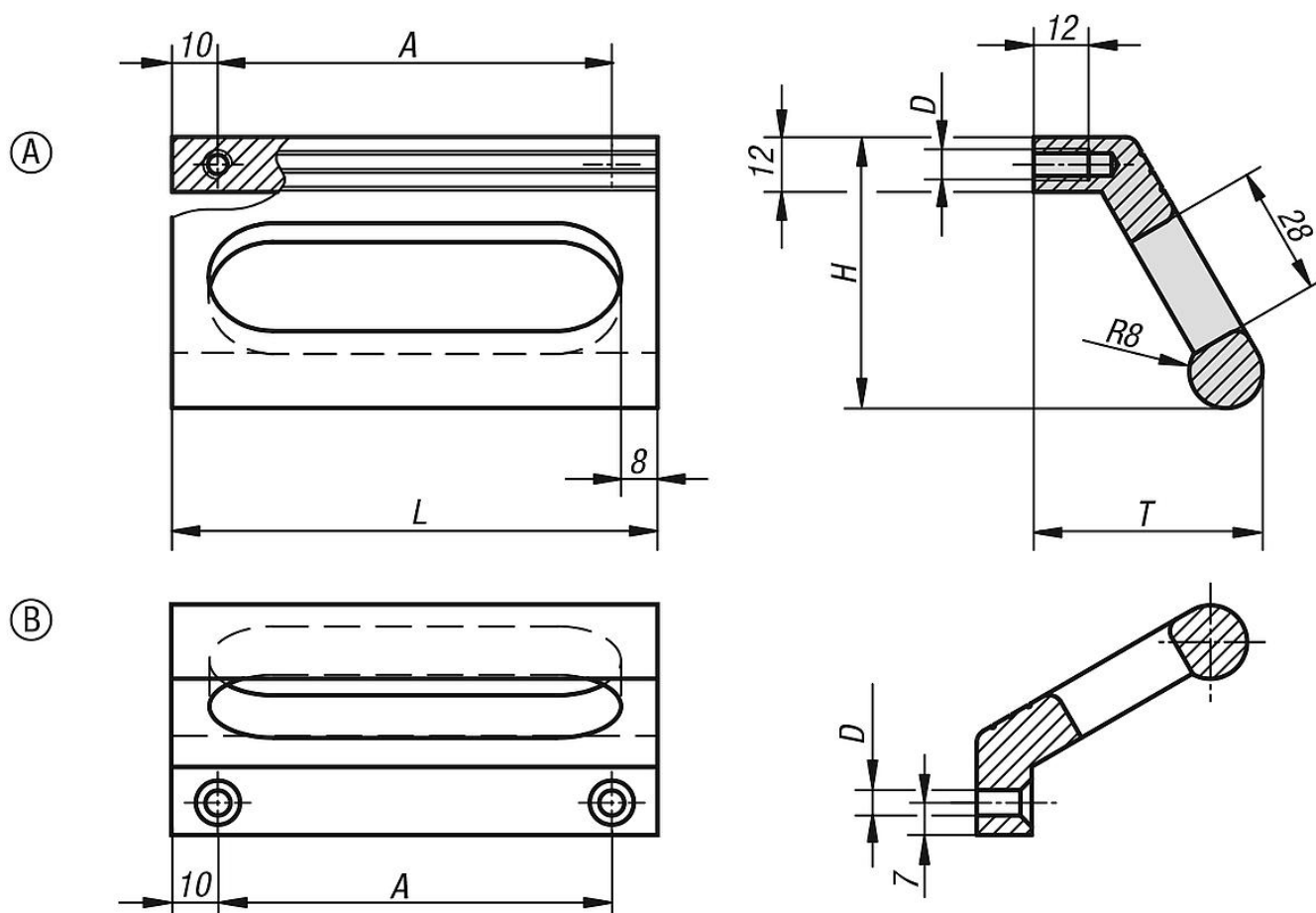
These ledge handles are available with M6 internal thread or with through hole for M5 countersunk screws for front mounting.

Assembly:

Form A from the rear.

Form B from the front.

Drawings



Overview of items

Order No.	Form	Main colour	A	D	H	L	T	Load capacity N
06952-086061	A	black anodised	86	M6	59	106	50	500
06952-100061	A	black anodised	100	M6	59	120	50	500
06952-120061	A	black anodised	120	M6	59	140	50	500
06952-086063	A	natural anodised	86	M6	59	106	50	500

Overview of items

Order No.	Form	Main colour	A	D	H	L	T	Load capacity N
06952-100063	A	natural anodised	100	M6	59	120	50	500
06952-120063	A	natural anodised	120	M6	59	140	50	500
06952-086051	B	black anodised	86	5,5	59	106	50	500
06952-100051	B	black anodised	100	5,5	59	120	50	500
06952-120051	B	black anodised	120	5,5	59	140	50	500
06952-086053	B	natural anodised	86	5,5	59	106	50	500
06952-100053	B	natural anodised	100	5,5	59	120	50	500
06952-120053	B	natural anodised	120	5,5	59	140	50	500