

Item description/product images

**Description****Material:**

Grip stainless steel 1.4301.
Legs die-cast aluminium.
End caps glass-bead reinforced plastic.
Screws and locking pins steel.

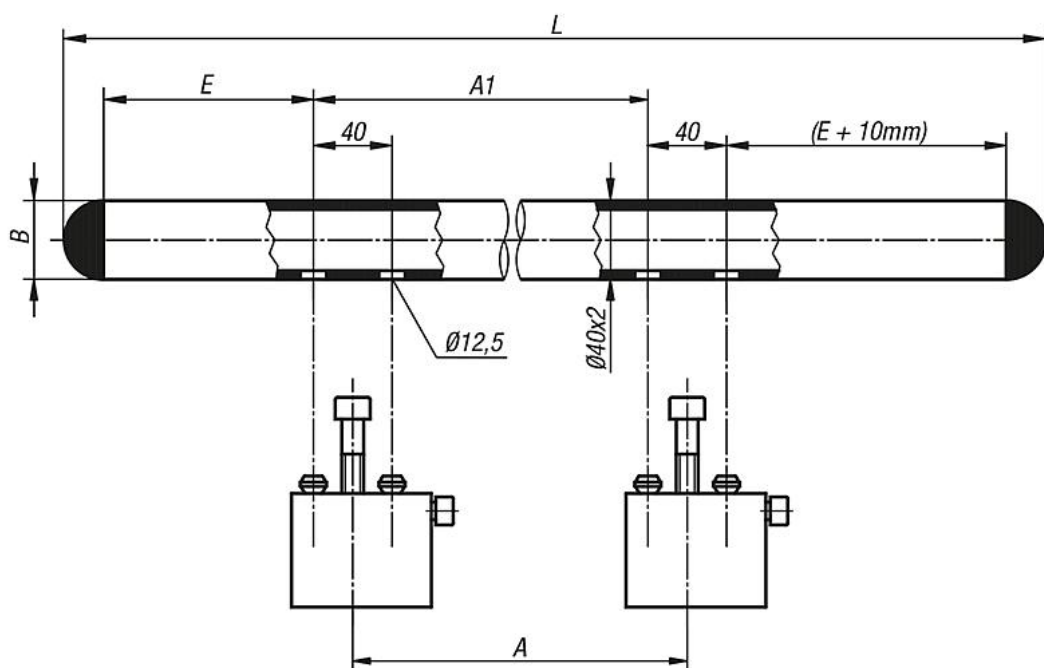
Version:

Grip finely ground.
Legs black powder-coated.
End cap black.
Screws and pins trivalent passivated.

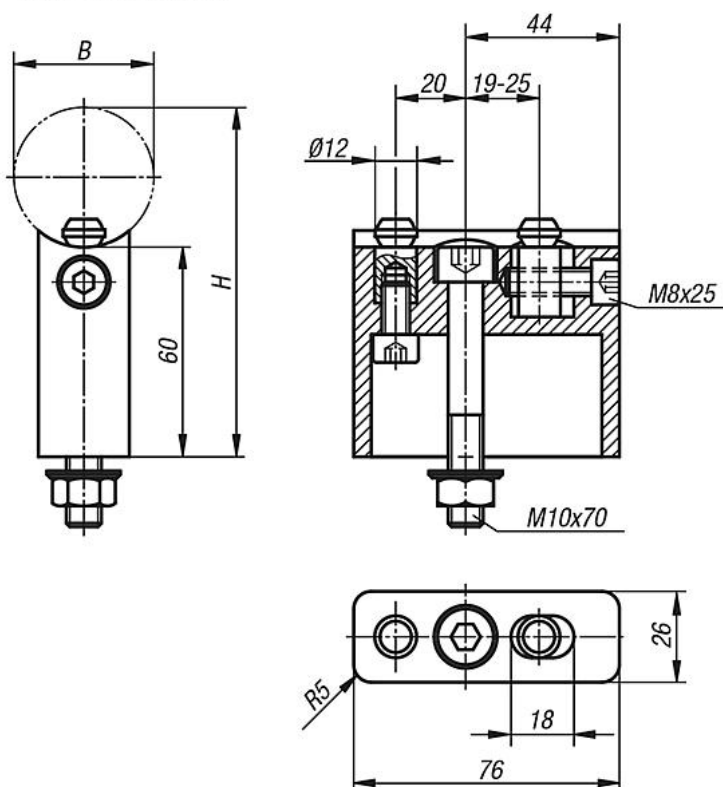
Note:

Heavy duty tubular pull handles for machine and plant construction. Easy mounting from the front. Adjustable leg spacing by the same grip length.

Drawings



Leg locking diagram:



Overview of items

Order No.	A	A1	B	E	H	L	Load capacity N
06941-0600101	380	380	40	85	100	640	1000
06941-0700101	480	480	40	85	100	740	1000

Overview of items

Order No.	A	A1	B	E	H	L	Load capacity N
06941-0800101	500	500	40	125	100	840	1000
06941-0900101	600	600	40	125	100	940	1000
06941-1000101	700	700	40	125	100	1040	1000