

Item description/product images



Description

Material:

Grip aluminium EN AW-6060.
Legs glass-bead reinforced polyamide.

Version:

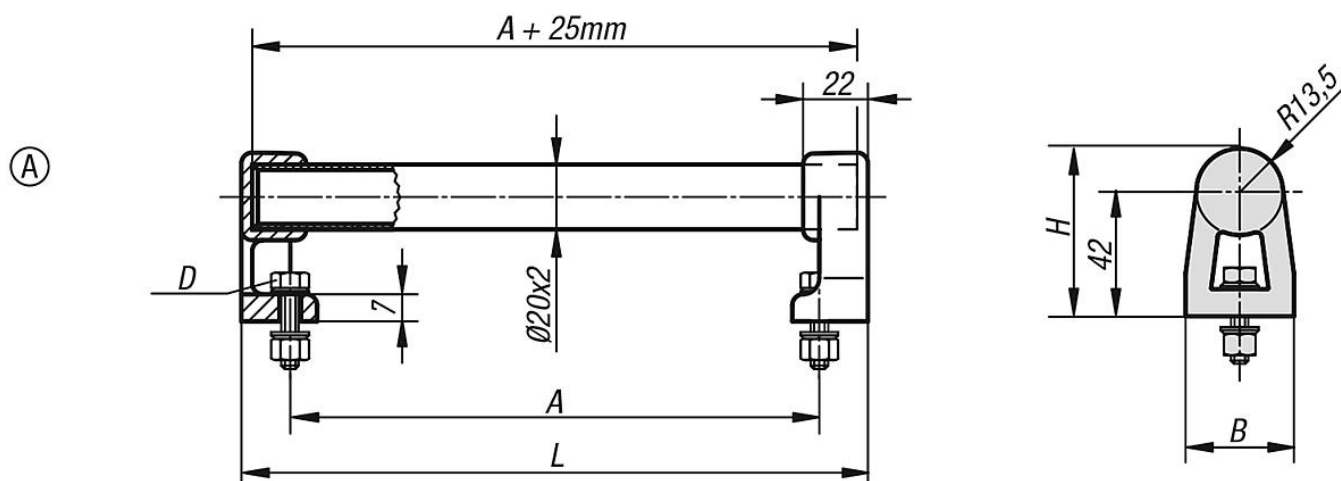
Grip natural colour anodised or with black serrated plastic cover.

Note:

The legs have 2 or 4 PVC profile pins in the hole for the grip tube. When pushing the tube in these are trimmed off and produce a precise seating.

Black electro zinc-plated fastening screws, suitable washers and nuts are supplied.

Drawings



Overview of items

Order No.	Main colour	Form	A	B	D	H	L	Load capacity N
06939-150203	natural	A	150	32	M5x20	55,5	184	1000
06939-200203	natural	A	200	32	M5x20	55,5	234	1000
06939-300203	natural	A	300	32	M5x20	55,5	334	1000
06939-400203	natural	A	400	32	M5x20	55,5	434	1000
06939-500203	natural	A	500	32	M5x20	55,5	534	1000
06939-150202	black	A	150	32	M5x20	55,5	184	1000
06939-200202	black	A	200	32	M5x20	55,5	234	1000
06939-300202	black	A	300	32	M5x20	55,5	334	1000
06939-400202	black	A	400	32	M5x20	55,5	434	1000
06939-500202	black	A	500	32	M5x20	55,5	534	1000