

Item description/product images



Description

Material:

Aluminium.

Version:

Leg black powder-coated.
Grip natural colour anodised.

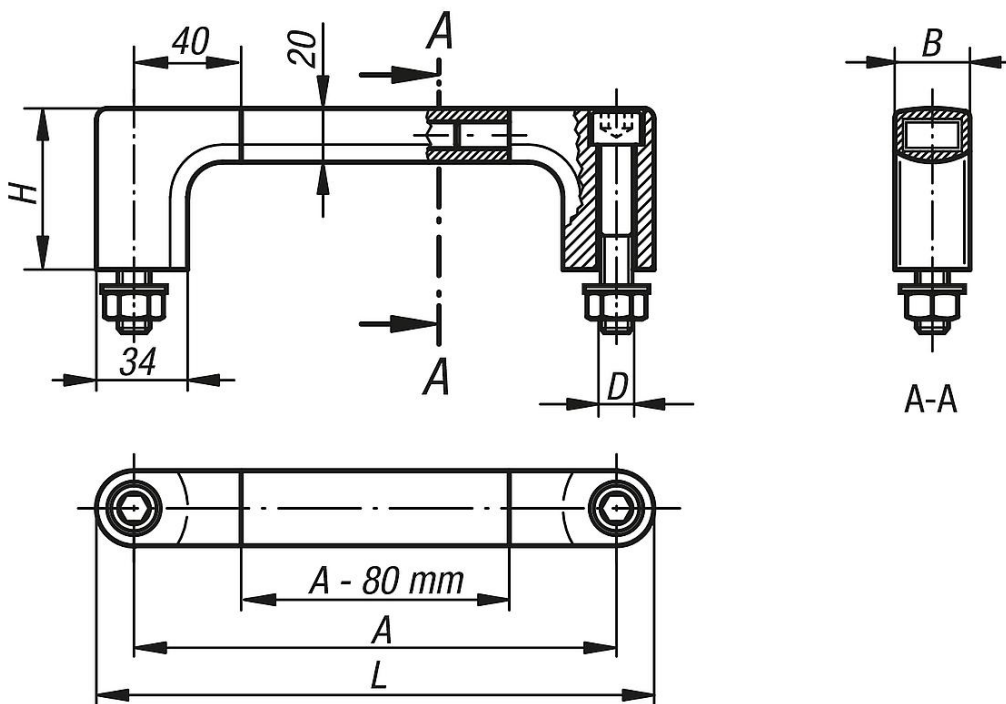
Note:

Black electro zinc-plated M12x70 cap screws, suitable washers and nuts for fastening are supplied.

Assembly:

From the front.

Drawings



Overview of items

Order No.	A	B	D	H	L	Load capacity N
06925-180	180	28	M12	60	208	1000
06925-200	200	28	M12	60	228	1000
06925-250	250	28	M12	60	278	1000
06925-300	300	28	M12	60	328	1000
06925-350	350	28	M12	60	378	1000
06925-400	400	28	M12	60	428	1000
06925-500	500	28	M12	60	528	1000
06925-600	600	28	M12	60	628	1000

