

Item description/product images



Description

Material:

Clamping lever:
Handle fibreglass reinforced thermoplastic, black grey.

Steel parts:
grade 5.8.

Remaining components:
high-strength aluminium.

Version:

Steel parts black oxidised.
Aluminium nickel silver anodised.

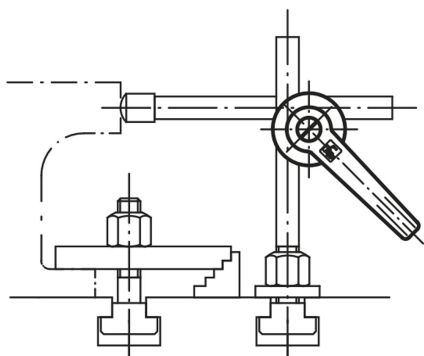
Note:

Clamping joints are used to clamp round cross sections (bars, tubes, etc.) and are infinitely adjustable.

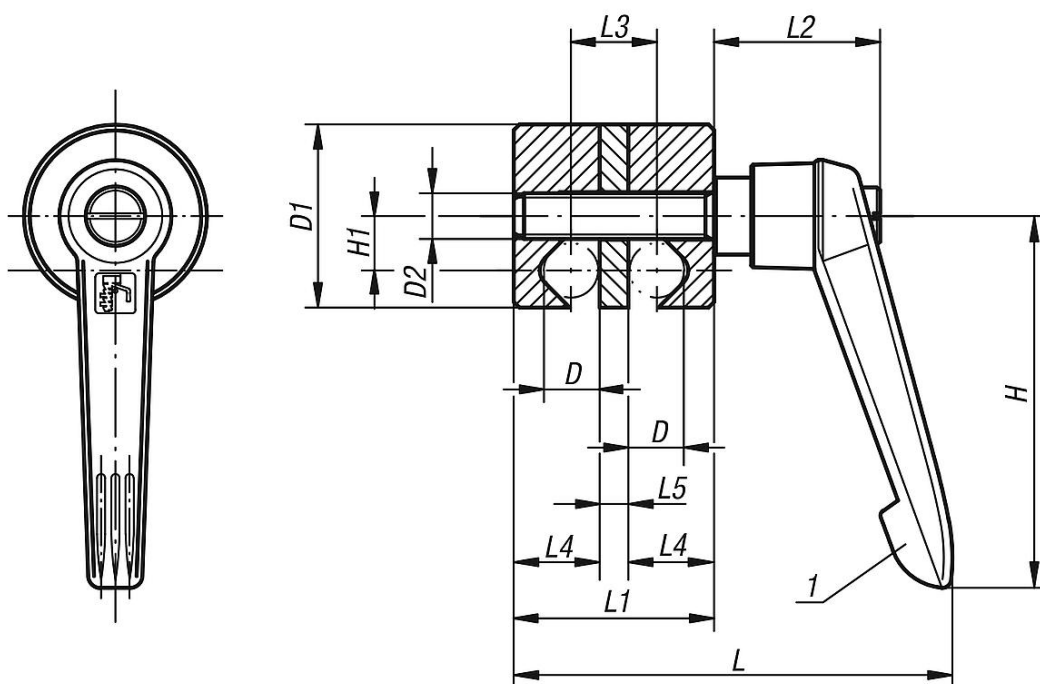
The simple design together with the adjustable clamping lever permits rapid clamping.

Drawing reference:

1) Clamping lever



Drawings



Overview of items

Order No.	D	D1	D2	H	H1	L	L1	L2	L3	L4	L5
06620-01	8	28	M8	65	8,5	72	31	29	13	13	5
06620-02	10	32	M8	65	9,5	76	35	29	15	15	5
06620-03	12	36	M8	65	10,5	81	40	29	18	17	6
06620-04	16	45	M10	80	13,5	103	50	37,5	22	22	6
06620-05	20	74	M10	95	22	131	70	42,5	30	30	10

