

Item description/product images



**Description**

**Material:**

Crank thermoplastic.  
Cylinder grip thermoplastic and steel.

**Version:**

Black grey thermoplastic.  
Steel parts black oxidised.

**Note:**

The hub cover is supplied unassembled.  
The crank handles can be secured to the shaft by cross-pinning or by parallel key together with a DIN 6912 socket head screw and DIN 7349 washer.  
Versions with transverse bore are secured using the ISO 4027 (DIN 914) grub screw.

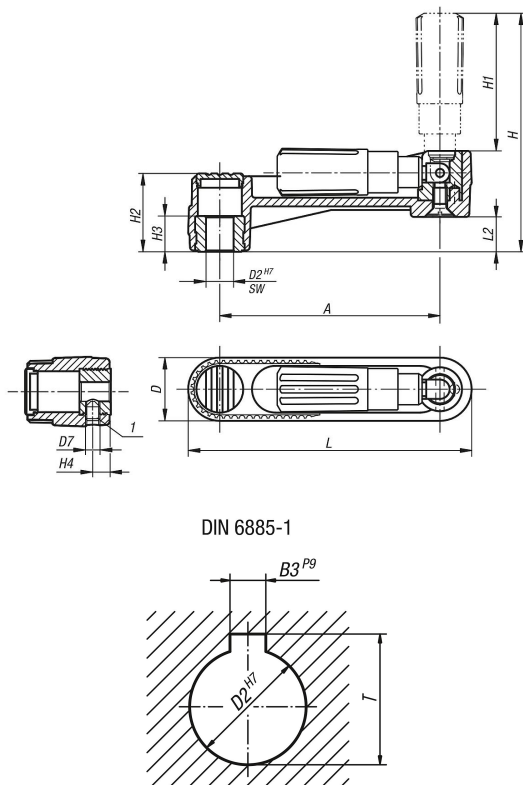
**Accessory:**

07161 Cap screws with low head DIN 6912

**Drawing reference:**

1) Position of the transverse bore to the keyway is offset by 90°.

Drawings



DIN 6885-1

Overview of items

Order No.	Version 1	Version 2	Component material	A	D	D2	D7	H	H1	H2	H3	H4	L	L2
06500-1108	reamed hole	without transverse hole	steel	80	24	8	-	85,7	49	28,5	13	-	104	12,7
06500-1110	reamed hole	without transverse hole	steel	80	24	10	-	85,7	49	28,5	13	-	104	12,7
06500-1210	reamed hole	without transverse hole	steel	100	29	10	-	105,2	49	35,5	13	-	129	15,7

## Overview of items

Order No.	Version 1	Version 2	Component material	A	D	D2	D7	H	H1	H2	H3	H4	L	L2
06500-1212	reamed hole	without transverse hole	steel	100	29	12	-	105,2	59,5	35,5	13	-	129	15,7
06500-1312	reamed hole	without transverse hole	steel	125	36	12	-	140	83	44	18,5	-	161	19,5
06500-1314	reamed hole	without transverse hole	steel	125	36	14	-	140	83	44	18,5	-	161	19,5
06500-11086	reamed hole	with transverse bore	steel	80	24	8	M6	85,7	49	28,5	13	7,5	104	12,7
06500-11106	reamed hole	with transverse bore	steel	80	24	10	M6	85,7	49	28,5	13	7,5	104	12,7
06500-12106	reamed hole	with transverse bore	steel	100	29	10	M6	105,2	59,5	35,5	13	7,5	129	15,7
06500-12126	reamed hole	with transverse bore	steel	100	29	12	M6	105,2	59,5	35,5	13	7,5	129	15,7
06500-13126	reamed hole	with transverse bore	steel	125	36	12	M6	140	83	44	18,5	7,5	161	19,5
06500-13146	reamed hole	with transverse bore	steel	125	36	14	M6	140	83	44	18,5	7,5	161	19,5

Order No.	Version 1	Version 2	Component material	A	B3	D	D2	D7	H	H1	H2	H3	H4	L	L2	T
06500-110802	reamed hole with slot	without transverse hole	steel	80	2	24	8	-	85,7	49	28,5	13	-	104	12,7	9
06500-111003	reamed hole with slot	without transverse hole	steel	80	3	24	10	-	85,7	49	28,5	13	-	104	12,7	11,4
06500-121003	reamed hole with slot	without transverse hole	steel	100	3	29	10	-	105,2	59,5	35,5	13	-	129	15,7	11,4
06500-121204	reamed hole with slot	without transverse hole	steel	100	4	29	12	-	105,2	59,5	35,5	13	-	129	15,7	13,8
06500-131204	reamed hole with slot	without transverse hole	steel	125	4	36	12	-	140	83	44	18,5	-	161	19,5	13,8
06500-131405	reamed hole with slot	without transverse hole	steel	125	5	36	14	-	140	83	44	18,5	-	161	19,5	16,3
06500-1108026	reamed hole with slot	with transverse bore	steel	80	2	24	8	M6	85,7	49	28,5	13	7,5	104	12,7	9
06500-1110036	reamed hole with slot	with transverse bore	steel	80	3	24	10	M6	85,7	49	28,5	13	7,5	104	12,7	11,4
06500-1210036	reamed hole with slot	with transverse bore	steel	100	3	29	10	M6	105,2	59,5	35,5	13	7,5	129	15,7	11,4
06500-1212046	reamed hole with slot	with transverse bore	steel	100	4	29	12	M6	105,2	59,5	35,5	13	7,5	129	15,7	13,8
06500-1312046	reamed hole with slot	with transverse bore	steel	125	4	36	12	M6	140	83	44	18,5	7,5	161	19,5	13,8
06500-1314056	reamed hole with slot	with transverse bore	steel	125	5	36	14	M6	140	83	44	18,5	7,5	161	19,5	16,3

Order No.	Version 1	Version 2	Component material	A	D	D7	H	H1	H2	H3	H4	L	L2	SW
06500-2108	square socket	without transverse hole	steel	80	24	-	85,7	49	28,5	13	-	104	12,7	8
06500-2110	square socket	without transverse hole	steel	80	24	-	85,7	49	28,5	13	-	104	12,7	10
06500-2210	square socket	without transverse hole	steel	100	29	-	105,2	59,5	35,5	13	-	129	15,7	10
06500-2212	square socket	without transverse hole	steel	100	29	-	105,2	59,5	35,5	13	-	129	15,7	12
06500-2312	square socket	without transverse hole	steel	125	36	-	140	83	44	18,5	-	161	19,5	12
06500-2314	square socket	without transverse hole	steel	125	36	-	140	83	44	18,5	-	161	19,5	14
06500-21086	square socket	with transverse bore	steel	80	24	M6	85,7	49	28,5	13	7,5	104	12,7	8
06500-21106	square socket	with transverse bore	steel	80	24	M6	85,7	49	28,5	13	7,5	104	12,7	10
06500-22106	square socket	with transverse bore	steel	100	29	M6	105,2	59,5	35,5	13	7,5	129	15,7	10
06500-22126	square socket	with transverse bore	steel	100	29	M6	105,2	59,5	35,5	13	7,5	129	15,7	12
06500-23126	square socket	with transverse bore	steel	125	36	M6	140	83	44	18,5	7,5	161	19,5	12
06500-23146	square socket	with transverse bore	steel	125	36	M6	140	83	44	18,5	7,5	161	19,5	14