



Description

Material:

Handle die-cast zinc DIN EN 12844.
Steel parts grade 5.8.

Version:

Handle powder-coated.
Steel parts black oxidised.

Note:

Standard colours are:
orange RAL 2004, ruby red RAL 3003, silver metallic.

Where $L \geq 60$ mm the thread length is 60 mm.

On request:

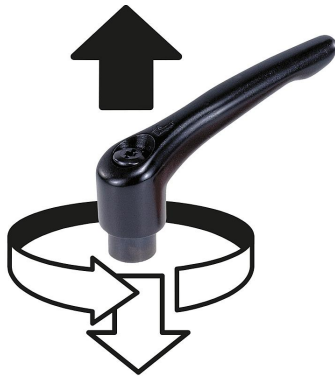
Other threads, screw lengths, colours and special versions.
Dimension "H1" available in other lengths at extra charge.

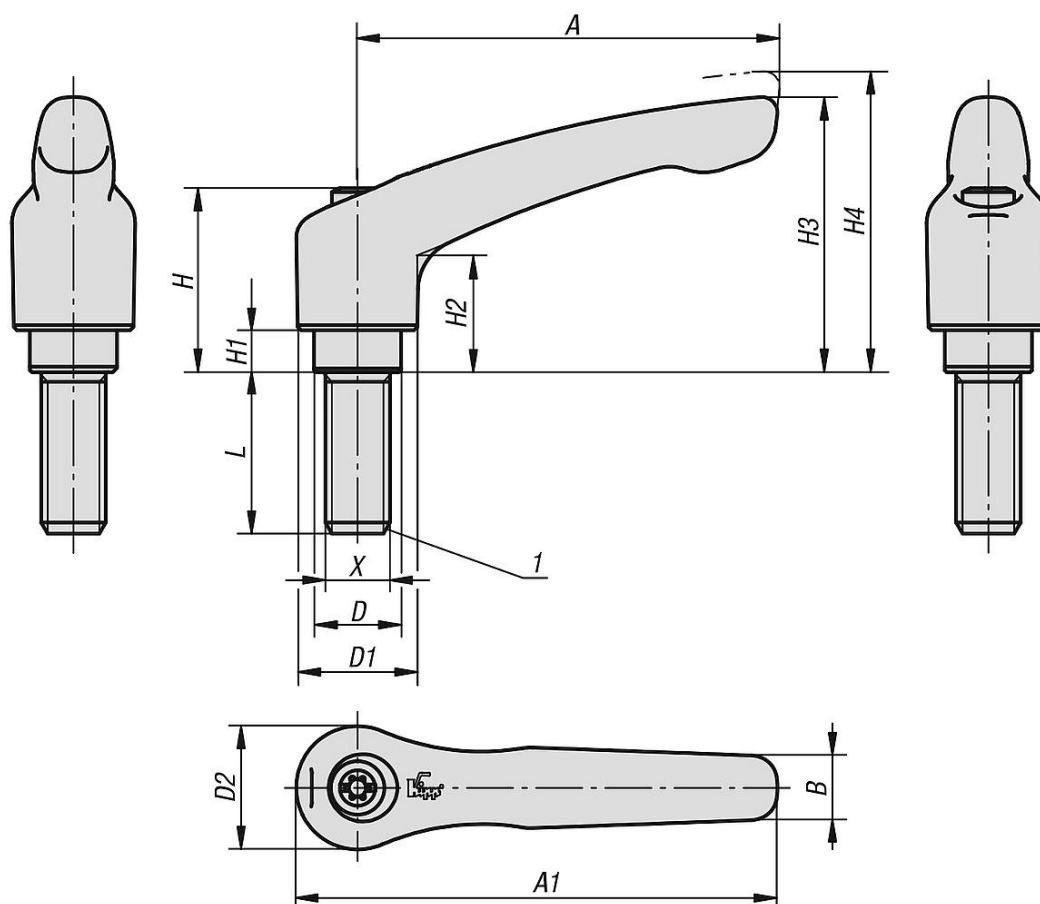
Drawing reference:

1) flat point DIN EN ISO 4753



lift to
disengage





Overview of items

Order No.	Main colour	Surface finish body	Size	X	D	D1	D2	H	H1	H2	H3	H4	A	A1	B	No. of teeth	L
06460-00427X10	ruby red RAL3003	satin finish	0	M4	10	13	14	24,5	4	14,5	30	33	30	37	7	16	10
06460-00427X15	ruby red RAL3003	satin finish	0	M4	10	13	14	24,5	4	14,5	30	33	30	37	7	16	15
06460-00427X20	ruby red RAL3003	satin finish	0	M4	10	13	14	24,5	4	14,5	30	33	30	37	7	16	20
06460-00427X25	ruby red RAL3003	satin finish	0	M4	10	13	14	24,5	4	14,5	30	33	30	37	7	16	25
06460-00427X30	ruby red RAL3003	satin finish	0	M4	10	13	14	24,5	4	14,5	30	33	30	37	7	16	30
06460-00427X35	ruby red RAL3003	satin finish	0	M4	10	13	14	24,5	4	14,5	30	33	30	37	7	16	35
06460-00427X40	ruby red RAL3003	satin finish	0	M4	10	13	14	24,5	4	14,5	30	33	30	37	7	16	40
06460-00427X45	ruby red RAL3003	satin finish	0	M4	10	13	14	24,5	4	14,5	30	33	30	37	7	16	45
06460-00427X50	ruby red RAL3003	satin finish	0	M4	10	13	14	24,5	4	14,5	30	33	30	37	7	16	50
06460-0042X10	orange RAL 2004	satin finish	0	M4	10	13	14	24,5	4	14,5	30	33	30	37	7	16	10
06460-0042X15	orange RAL 2004	satin finish	0	M4	10	13	14	24,5	4	14,5	30	33	30	37	7	16	15
06460-0042X20	orange RAL 2004	satin finish	0	M4	10	13	14	24,5	4	14,5	30	33	30	37	7	16	20
06460-0042X25	orange RAL 2004	satin finish	0	M4	10	13	14	24,5	4	14,5	30	33	30	37	7	16	25
06460-0042X30	orange RAL 2004	satin finish	0	M4	10	13	14	24,5	4	14,5	30	33	30	37	7	16	30
06460-0042X35	orange RAL 2004	satin finish	0	M4	10	13	14	24,5	4	14,5	30	33	30	37	7	16	35
06460-0042X40	orange RAL 2004	satin finish	0	M4	10	13	14	24,5	4	14,5	30	33	30	37	7	16	40
06460-0042X45	orange RAL 2004	satin finish	0	M4	10	13	14	24,5	4	14,5	30	33	30	37	7	16	45
06460-0042X50	orange RAL 2004	satin finish	0	M4	10	13	14	24,5	4	14,5	30	33	30	37	7	16	50
06460-0043X10	silver metallic	satin finish	0	M4	10	13	14	24,5	4	14,5	30	33	30	37	7	16	10
06460-0043X15	silver metallic	satin finish	0	M4	10	13	14	24,5	4	14,5	30	33	30	37	7	16	15
06460-0043X20	silver metallic	satin finish	0	M4	10	13	14	24,5	4	14,5	30	33	30	37	7	16	20
06460-0043X25	silver metallic	satin finish	0	M4	10	13	14	24,5	4	14,5	30	33	30	37	7	16	25
06460-0043X30	silver metallic	satin finish	0	M4	10	13	14	24,5	4	14,5	30	33	30	37	7	16	30
06460-0043X35	silver metallic	satin finish	0	M4	10	13	14	24,5	4	14,5	30	33	30	37	7	16	35
06460-0043X40	silver metallic	satin finish	0	M4	10	13	14	24,5	4	14,5	30	33	30	37	7	16	40
06460-0043X45	silver metallic	satin finish	0	M4	10	13	14	24,5	4	14,5	30	33	30	37	7	16	45
06460-0043X50	silver metallic	satin finish	0	M4	10	13	14	24,5	4	14,5	30	33	30	37	7	16	50

06460 Clamping levers, die-cast zinc with external thread, threaded insert black oxidised steel



Overview of items

Order No.	Main colour	Surface finish body	Size	X	D	D1	D2	H	H1	H2	H3	H4	A	A1	B	No. of teeth	L
06460-3083X35	silver metallic	satin finish	3	M8	16	21	22	37	10	24	54,5	58,5	80	91	11	22	35
06460-3083X40	silver metallic	satin finish	3	M8	16	21	22	37	10	24	54,5	58,5	80	91	11	22	40
06460-3083X45	silver metallic	satin finish	3	M8	16	21	22	37	10	24	54,5	58,5	80	91	11	22	45
06460-3083X50	silver metallic	satin finish	3	M8	16	21	22	37	10	24	54,5	58,5	80	91	11	22	50
06460-3083X55	silver metallic	satin finish	3	M8	16	21	22	37	10	24	54,5	58,5	80	91	11	22	55
06460-3083X60	silver metallic	satin finish	3	M8	16	21	22	37	10	24	54,5	58,5	80	91	11	22	60
06460-31027X15	ruby red RAL3003	satin finish	3	M10	16	21	22	37	10	24	54,5	58,5	80	91	11	22	15
06460-31027X20	ruby red RAL3003	satin finish	3	M10	16	21	22	37	10	24	54,5	58,5	80	91	11	22	20
06460-31027X25	ruby red RAL3003	satin finish	3	M10	16	21	22	37	10	24	54,5	58,5	80	91	11	22	25
06460-31027X30	ruby red RAL3003	satin finish	3	M10	16	21	22	37	10	24	54,5	58,5	80	91	11	22	30
06460-31027X35	ruby red RAL3003	satin finish	3	M10	16	21	22	37	10	24	54,5	58,5	80	91	11	22	35
06460-31027X40	ruby red RAL3003	satin finish	3	M10	16	21	22	37	10	24	54,5	58,5	80	91	11	22	40
06460-31027X45	ruby red RAL3003	satin finish	3	M10	16	21	22	37	10	24	54,5	58,5	80	91	11	22	45
06460-31027X50	ruby red RAL3003	satin finish	3	M10	16	21	22	37	10	24	54,5	58,5	80	91	11	22	50
06460-31027X55	ruby red RAL3003	satin finish	3	M10	16	21	22	37	10	24	54,5	58,5	80	91	11	22	55
06460-31027X60	ruby red RAL3003	satin finish	3	M10	16	21	22	37	10	24	54,5	58,5	80	91	11	22	60
06460-3102X15	orange RAL 2004	satin finish	3	M10	16	21	22	37	10	24	54,5	58,5	80	91	11	22	15
06460-3102X20	orange RAL 2004	satin finish	3	M10	16	21	22	37	10	24	54,5	58,5	80	91	11	22	20
06460-3102X25	orange RAL 2004	satin finish	3	M10	16	21	22	37	10	24	54,5	58,5	80	91	11	22	25
06460-3102X30	orange RAL 2004	satin finish	3	M10	16	21	22	37	10	24	54,5	58,5	80	91	11	22	30
06460-3102X35	orange RAL 2004	satin finish	3	M10	16	21	22	37	10	24	54,5	58,5	80	91	11	22	35
06460-3102X40	orange RAL 2004	satin finish	3	M10	16	21	22	37	10	24	54,5	58,5	80	91	11	22	40
06460-3102X45	orange RAL 2004	satin finish	3	M10	16	21	22	37	10	24	54,5	58,5	80	91	11	22	45
06460-3102X50	orange RAL 2004	satin finish	3	M10	16	21	22	37	10	24	54,5	58,5	80	91	11	22	50
06460-3102X55	orange RAL 2004	satin finish	3	M10	16	21	22	37	10	24	54,5	58,5	80	91	11	22	55
06460-3102X60	orange RAL 2004	satin finish	3	M10	16	21	22	37	10	24	54,5	58,5	80	91	11	22	60
06460-3103X15	silver metallic	satin finish	3	M10	16	21	22	37	10	24	54,5	58,5	80	91	11	22	15
06460-3103X20	silver metallic	satin finish	3	M10	16	21	22	37	10	24	54,5	58,5	80	91	11	22	20
06460-3103X25	silver metallic	satin finish	3	M10	16	21	22	37	10	24	54,5	58,5	80	91	11	22	25
06460-3103X30	silver metallic	satin finish	3	M10	16	21	22	37	10	24	54,5	58,5	80	91	11	22	30
06460-3103X35	silver metallic	satin finish	3	M10	16	21	22	37	10	24	54,5	58,5	80	91	11	22	35
06460-3103X40	silver metallic	satin finish	3	M10	16	21	22	37	10	24	54,5	58,5	80	91	11	22	40
06460-3103X45	silver metallic	satin finish	3	M10	16	21	22	37	10	24	54,5	58,5	80	91	11	22	45
06460-3103X50	silver metallic	satin finish	3	M10	16	21	22	37	10	24	54,5	58,5	80	91	11	22	50
06460-3103X55	silver metallic	satin finish	3	M10	16	21	22	37	10	24	54,5	58,5	80	91	11	22	55
06460-3103X60	silver metallic	satin finish	3	M10	16	21	22	37	10	24	54,5	58,5	80	91	11	22	60
06460-41027X20	ruby red RAL3003	satin finish	4	M10	19	27	27,5	43	10	27	63	67,5	95	109	13	24	20
06460-41027X25	ruby red RAL3003	satin finish	4	M10	19	27	27,5	43	10	27	63	67,5	95	109	13	24	25
06460-41027X30	ruby red RAL3003	satin finish	4	M10	19	27	27,5	43	10	27	63	67,5	95	109	13	24	30
06460-41027X35	ruby red RAL3003	satin finish	4	M10	19	27	27,5	43	10	27	63	67,5	95	109	13	24	35
06460-41027X40	ruby red RAL3003	satin finish	4	M10	19	27	27,5	43	10	27	63	67,5	95	109	13	24	40
06460-41027X45	ruby red RAL3003	satin finish	4	M10	19	27	27,5	43	10	27	63	67,5	95	109	13	24	45
06460-41027X50	ruby red RAL3003	satin finish	4	M10	19	27	27,5	43	10	27	63	67,5	95	109	13	24	50
06460-41027X55	ruby red RAL3003	satin finish	4	M10	19	27	27,5	43	10	27	63	67,5	95	109	13	24	55
06460-41027X60	ruby red RAL3003	satin finish	4	M10	19	27	27,5	43	10	27	63	67,5	95	109	13	24	60
06460-41027X70	ruby red RAL3003	satin finish	4	M10	19	27	27,5	43	10	27	63	67,5	95	109	13	24	70
06460-41027X80	ruby red RAL3003	satin finish	4	M10	19	27	27,5	43	10	27	63	67,5	95	109	13	24	80
06460-41027X90	ruby red RAL3003	satin finish	4	M10	19	27	27,5	43	10	27	63	67,5	95	109	13	24	90
06460-4102X20	orange RAL 2004	satin finish	4	M10	19	27	27,5	43	10	27	63	67,5	95	109	13	24	20
06460-4102X25	orange RAL 2004	satin finish	4	M10	19	27	27,5	43	10	27	63	67,5	95	109	13	24	25
06460-4102X30	orange RAL 2004	satin finish	4	M10	19	27	27,5	43	10	27	63	67,5	95	109	13	24	30
06460-4102X35	orange RAL 2004	satin finish	4	M10	19	27	27,5	43	10	27	63	67,5	95	109	13	24	35
06460-4102X40	orange RAL 2004	satin finish	4	M10	19	27	27,5	43	10	27	63	67,5	95	109	13	24	40
06460-4102X45	orange RAL 2004	satin finish	4	M10	19	27	27,5	43	10	27	63	67,5	95	109	13	24	45
06460-4102X50	orange RAL 2004	satin finish	4	M10	19	27	27,5	43	10	27	63	67,5	95	109	13	24	50
06460-4102X55	orange RAL 2004	satin finish	4	M10	19	27	27,5	43	10	27	63	67,5	95	109	13	24	55
06460-4102X60	orange RAL 2004	satin finish	4	M10	19	27	27,5	43	10	27	63	67,5	95	109	13	24	60
06460-4102X70	orange RAL 2004	satin finish	4	M10	19	27	27,5	43	10	27	63	67,5	95	109	13	24	70
06460-4102X80	orange RAL 2004	satin finish	4	M10	19	27	27,5	43	10	27	63	67,5	95	109	13	24	80
06460-4102X90	orange RAL 2004	satin finish	4	M10	19	27	27,5	43	10	27	63	67,5	95	109	13	24	90
06460-4103X20	silver metallic	satin finish	4	M10	19	27	27,5	43	10	27	63	67,5	95	109	13	24	20
06460-4103X25	silver metallic	satin finish	4	M10	19	27	27,5	43	10	27	63	67,5	95	109	13	24	25
06460-4103X30	silver metallic	satin finish	4	M10	19	27	27,5	43	10	27	63	67,5	95	109	13	24	30
06460-4103X35	silver metallic	satin finish	4	M10	19	27	27,5	43	10	27	63	67,5	95	109	13	24	35
06460-4103X40	silver metallic	satin finish	4	M10	19	27	27,5	43	10	27	63	67,5	95	109	13	24	40

06460 Clamping levers, die-cast zinc with external thread, threaded insert black oxidised steel



Overview of items

Order No.	Main colour	Surface finish body	Size	X	D	D1	D2	H	H1	H2	H3	H4	A	A1	B	No. of teeth	L
06460-5123X25	silver metallic	satin finish	5	M12	23	31	32	49	12	31,5	73	77,5	110	126	15	26	25
06460-5123X30	silver metallic	satin finish	5	M12	23	31	32	49	12	31,5	73	77,5	110	126	15	26	30
06460-5123X35	silver metallic	satin finish	5	M12	23	31	32	49	12	31,5	73	77,5	110	126	15	26	35
06460-5123X40	silver metallic	satin finish	5	M12	23	31	32	49	12	31,5	73	77,5	110	126	15	26	40
06460-5123X45	silver metallic	satin finish	5	M12	23	31	32	49	12	31,5	73	77,5	110	126	15	26	45
06460-5123X50	silver metallic	satin finish	5	M12	23	31	32	49	12	31,5	73	77,5	110	126	15	26	50
06460-5123X55	silver metallic	satin finish	5	M12	23	31	32	49	12	31,5	73	77,5	110	126	15	26	55
06460-5123X60	silver metallic	satin finish	5	M12	23	31	32	49	12	31,5	73	77,5	110	126	15	26	60
06460-5123X70	silver metallic	satin finish	5	M12	23	31	32	49	12	31,5	73	77,5	110	126	15	26	70
06460-5123X80	silver metallic	satin finish	5	M12	23	31	32	49	12	31,5	73	77,5	110	126	15	26	80
06460-5123X90	silver metallic	satin finish	5	M12	23	31	32	49	12	31,5	73	77,5	110	126	15	26	90
06460-51627X25	ruby red RAL3003	satin finish	5	M16	23	31	32	49	12	31,5	73	77,5	110	126	15	26	25
06460-51627X30	ruby red RAL3003	satin finish	5	M16	23	31	32	49	12	31,5	73	77,5	110	126	15	26	30
06460-51627X35	ruby red RAL3003	satin finish	5	M16	23	31	32	49	12	31,5	73	77,5	110	126	15	26	35
06460-51627X40	ruby red RAL3003	satin finish	5	M16	23	31	32	49	12	31,5	73	77,5	110	126	15	26	40
06460-51627X45	ruby red RAL3003	satin finish	5	M16	23	31	32	49	12	31,5	73	77,5	110	126	15	26	45
06460-51627X50	ruby red RAL3003	satin finish	5	M16	23	31	32	49	12	31,5	73	77,5	110	126	15	26	50
06460-51627X55	ruby red RAL3003	satin finish	5	M16	23	31	32	49	12	31,5	73	77,5	110	126	15	26	55
06460-51627X60	ruby red RAL3003	satin finish	5	M16	23	31	32	49	12	31,5	73	77,5	110	126	15	26	60
06460-51627X70	ruby red RAL3003	satin finish	5	M16	23	31	32	49	12	31,5	73	77,5	110	126	15	26	70
06460-51627X80	ruby red RAL3003	satin finish	5	M16	23	31	32	49	12	31,5	73	77,5	110	126	15	26	80
06460-51627X90	ruby red RAL3003	satin finish	5	M16	23	31	32	49	12	31,5	73	77,5	110	126	15	26	90
06460-5162X25	orange RAL 2004	satin finish	5	M16	23	31	32	49	12	31,5	73	77,5	110	126	15	26	25
06460-5162X30	orange RAL 2004	satin finish	5	M16	23	31	32	49	12	31,5	73	77,5	110	126	15	26	30
06460-5162X35	orange RAL 2004	satin finish	5	M16	23	31	32	49	12	31,5	73	77,5	110	126	15	26	35
06460-5162X40	orange RAL 2004	satin finish	5	M16	23	31	32	49	12	31,5	73	77,5	110	126	15	26	40
06460-5162X45	orange RAL 2004	satin finish	5	M16	23	31	32	49	12	31,5	73	77,5	110	126	15	26	45
06460-5162X50	orange RAL 2004	satin finish	5	M16	23	31	32	49	12	31,5	73	77,5	110	126	15	26	50
06460-5162X55	orange RAL 2004	satin finish	5	M16	23	31	32	49	12	31,5	73	77,5	110	126	15	26	55
06460-5162X60	orange RAL 2004	satin finish	5	M16	23	31	32	49	12	31,5	73	77,5	110	126	15	26	60
06460-5162X70	orange RAL 2004	satin finish	5	M16	23	31	32	49	12	31,5	73	77,5	110	126	15	26	70
06460-5162X80	orange RAL 2004	satin finish	5	M16	23	31	32	49	12	31,5	73	77,5	110	126	15	26	80
06460-5162X90	orange RAL 2004	satin finish	5	M16	23	31	32	49	12	31,5	73	77,5	110	126	15	26	90
06460-5163X25	silver metallic	satin finish	5	M16	23	31	32	49	12	31,5	73	77,5	110	126	15	26	25
06460-5163X30	silver metallic	satin finish	5	M16	23	31	32	49	12	31,5	73	77,5	110	126	15	26	30
06460-5163X35	silver metallic	satin finish	5	M16	23	31	32	49	12	31,5	73	77,5	110	126	15	26	35
06460-5163X40	silver metallic	satin finish	5	M16	23	31	32	49	12	31,5	73	77,5	110	126	15	26	40
06460-5163X45	silver metallic	satin finish	5	M16	23	31	32	49	12	31,5	73	77,5	110	126	15	26	45
06460-5163X50	silver metallic	satin finish	5	M16	23	31	32	49	12	31,5	73	77,5	110	126	15	26	50
06460-5163X55	silver metallic	satin finish	5	M16	23	31	32	49	12	31,5	73	77,5	110	126	15	26	55
06460-5163X60	silver metallic	satin finish	5	M16	23	31	32	49	12	31,5	73	77,5	110	126	15	26	60
06460-5163X70	silver metallic	satin finish	5	M16	23	31	32	49	12	31,5	73	77,5	110	126	15	26	70
06460-5163X80	silver metallic	satin finish	5	M16	23	31	32	49	12	31,5	73	77,5	110	126	15	26	80
06460-5163X90	silver metallic	satin finish	5	M16	23	31	32	49	12	31,5	73	77,5	110	126	15	26	90