

Item description/product images



Description

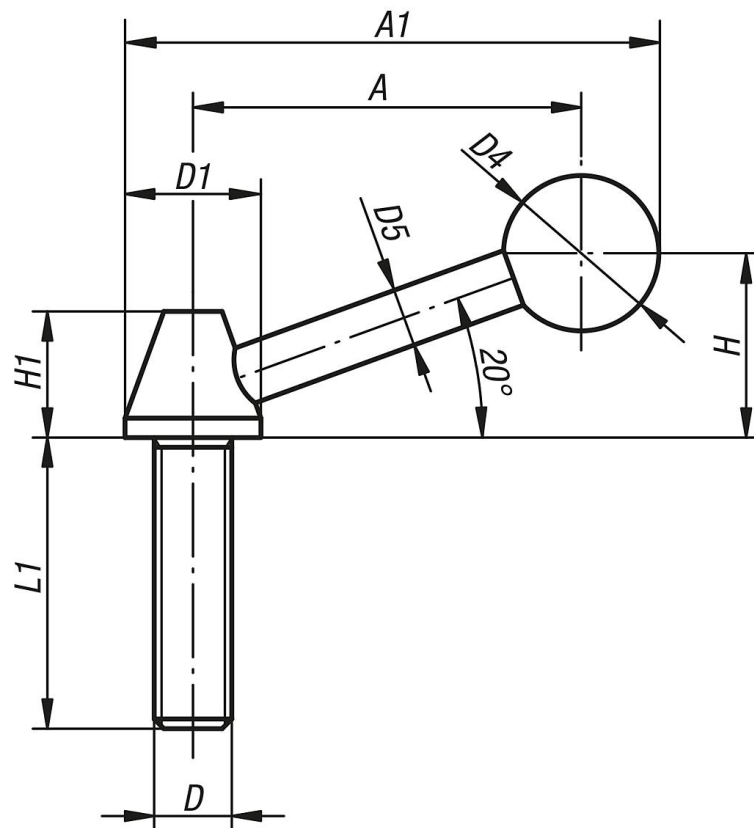
Material:

Steel.
Ball knob thermoset.

Version:

steel black oxidised.
Ball knob black.

Drawings



Overview of items

Specifications

Order No.	A	A1	D	D1	D4	D5	H	H1	L1
06430-108	48	55	M8	14	16	6	19	13	45
06430-110	64	73	M10	18	20	6	24	17	60
06430-112	97	108	M12	22	30	10	42	19	70
06430-116	126	138,5	M16	25	32	12	55	23	75

