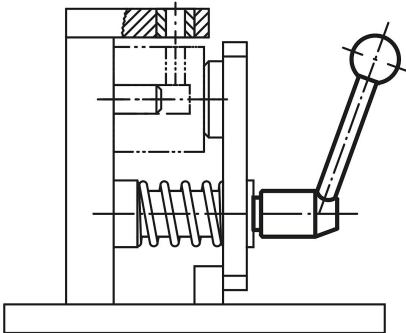
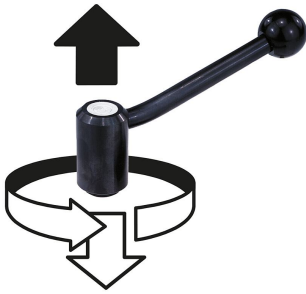


Item description/product images



lift to
disengage

**Description****Material:**

Steel parts grade 5.8.
Ball knob black plastic.

Version:

Powder-coated with fine texture, black.

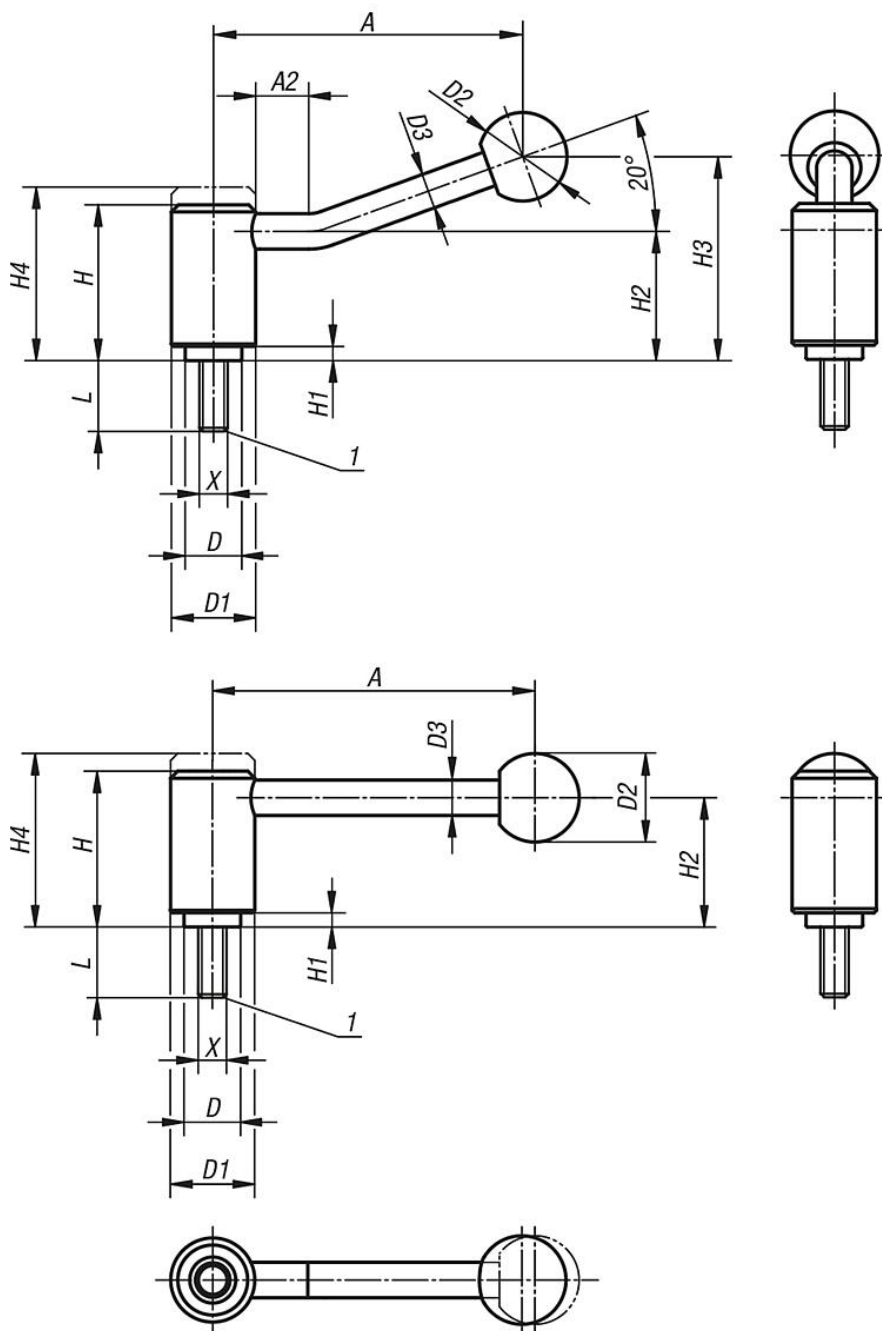
On request:

Other threads, screw lengths and special versions.
Dimensions "H1" and "A" available in other lengths at extra charge.

Drawing reference:

1) flat point DIN EN ISO 4753

Drawings



Overview of items

Order No. 0°	Order No. 20°	X	A=Handle length	A2	D	D1	D2	D3	H	H1	H2	H3	H4	L	No. of teeth
06380-1082X	06380-1081X	M8	92/88	-/15	16	24	25	10	44,5	4,5	37	-/58,5	49,5	15/20/25/30/40/50/60	22
06380-1102X	06380-1101X	M10	92/88	-/15	16	24	25	10	44,5	4,5	37	-/58,5	49,5	15/20/25/30/40/50/60	22
06380-1122X	06380-1121X	M12	92/88	-/15	16	24	25	10	44,5	4,5	37	-/58,5	49,5	15/20/25/30/40/50/60	22
06380-2122X	06380-2121X	M12	111/106	-/15	19	28	32	12	51,5	5,5	42	-/68,5	57,5	20/25/30/40/50/60	24
06380-3122X	06380-3121X	M12	134,5/128,5	-/15	23	33	32	13	58	6	47	-/81	65	20/25/30/40/50/60/70/80/90	26
06380-3162X	06380-3161X	M16	134,5/128,5	-/15	23	33	32	13	58	6	47	-/81	65	20/25/30/40/50/60/70/80/90	26
06380-4162X	06380-4161X	M16	134/128,5	-/15	30	41	32	13	68,5	7,5	56,5	-/89,5	76,5	30/40/50/60/70/80/90	36
06380-4202X	06380-4201X	M20	134/128,5	-/15	30	41	32	13	68,5	7,5	56,5	-/89,5	76,5	30/40/50/60/70/80/90	36
06380-4242X	06380-4241X	M24	134/128,5	-/15	30	41	32	13	68,5	7,5	56,5	-/89,5	76,5	30/40/50/60/70/80/90	36

