

## Item description/product images



## Description

**Material:**

Handwheel aluminium.

Fixed grip aluminium, centre pin black oxidised steel.

Revolving grip aluminium, centre pin trivalent blue passivated steel.

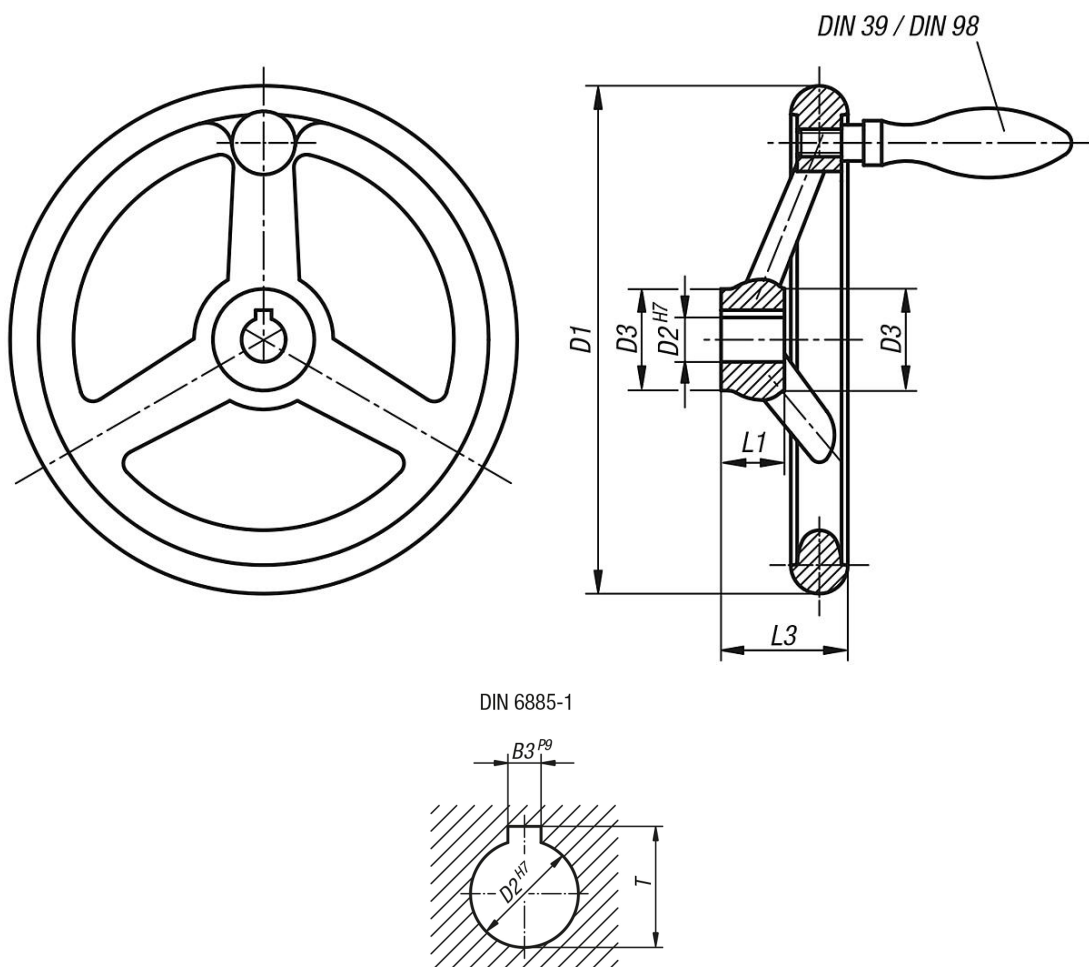
**Version:**

Wheel rim turned and polished.

**On request:**

Hubs with square socket or powder-coated handwheels.

## Drawings



## Overview of items

Order No.	Version 1	D1	D2	D3	L1	L3	B3	T	Number of spokes	fixed machine handle DIN 39 Form E
06273-2080X10	reamed hole	80	10H7	25	16	29	-	-	3	ø16 x M6 x 50
06273-2080X12	reamed hole	80	12H7	25	16	29	-	-	3	ø16 x M6 x 50
06273-2100X10	reamed hole	100	10H7	29	17	33	-	-	3	ø16 x M6 x 50
06273-2100X12	reamed hole	100	12H7	29	17	33	-	-	3	ø16 x M6 x 50
06273-2125X12	reamed hole	125	12H7	31	18	36	-	-	3	ø20 x M8 x 64
06273-2125X14	reamed hole	125	14H7	31	18	36	-	-	3	ø20 x M8 x 64
06273-2140X14	reamed hole	140	14H7	36	19	39	-	-	3	ø20 x M8 x 64
06273-2140X16	reamed hole	140	16H7	36	19	39	-	-	3	ø20 x M8 x 64
06273-2160X14	reamed hole	160	14H7	36	20	40	-	-	3	ø25 x M10 x 80
06273-2160X16	reamed hole	160	16H7	36	20	40	-	-	3	ø25 x M10 x 80
06273-2180X16	reamed hole	180	16H7	37	22	43	-	-	3	ø25 x M10 x 80
06273-2180X18	reamed hole	180	18H7	37	22	43	-	-	3	ø25 x M10 x 80
06273-2200X18	reamed hole	200	18H7	43	24	45	-	-	3	ø25 x M10 x 80
06273-2200X22	reamed hole	200	22H7	43	24	45	-	-	3	ø25 x M10 x 80
06273-2250X22	reamed hole	250	22H7	49	28	50	-	-	5	ø32 x M12 x 100
06273-2250X26	reamed hole	250	26H7	49	28	50	-	-	5	ø32 x M12 x 100
06273-2315X26	reamed hole	315	26H7	54	33	56	-	-	5	ø32 x M12 x 100
06273-2315X30	reamed hole	315	30H7	54	33	56	-	-	5	ø32 x M12 x 100
06273-2400X30	reamed hole	400	30H7	65	38	63	-	-	5	ø36 x M16 x 112
06273-2400X34	reamed hole	400	34H7	65	38	63	-	-	5	ø36 x M16 x 112
06273-2500X34	reamed hole	500	34H7	79	45	72	-	-	5	ø36 x M16 x 112
06273-2500X40	reamed hole	500	40H7	79	45	72	-	-	5	ø36 x M16 x 112
06273-3080X10	reamed hole with slot	80	10H7	25	16	29	3	11,4	3	ø16 x M6 x 50
06273-3080X12	reamed hole with slot	80	12H7	25	16	29	4	13,8	3	ø16 x M6 x 50
06273-3100X10	reamed hole with slot	100	10H7	29	17	33	3	11,4	3	ø16 x M6 x 50
06273-3100X12	reamed hole with slot	100	12H7	29	17	33	4	13,8	3	ø16 x M6 x 50
06273-3125X12	reamed hole with slot	125	12H7	31	18	36	4	13,8	3	ø20 x M8 x 64
06273-3125X14	reamed hole with slot	125	14H7	31	18	36	5	16,3	3	ø20 x M8 x 64
06273-3140X14	reamed hole with slot	140	14H7	36	19	39	5	16,3	3	ø20 x M8 x 64
06273-3140X16	reamed hole with slot	140	16H7	36	19	39	5	18,3	3	ø20 x M8 x 64
06273-3160X14	reamed hole with slot	160	14H7	36	20	40	5	16,3	3	ø25 x M10 x 80
06273-3160X16	reamed hole with slot	160	16H7	36	20	40	5	18,3	3	ø25 x M10 x 80
06273-3180X16	reamed hole with slot	180	16H7	37	22	43	5	18,3	3	ø25 x M10 x 80
06273-3180X18	reamed hole with slot	180	18H7	37	22	43	6	20,8	3	ø25 x M10 x 80
06273-3200X18	reamed hole with slot	200	18H7	43	24	45	6	20,8	3	ø25 x M10 x 80
06273-3200X22	reamed hole with slot	200	22H7	43	24	45	6	24,8	3	ø25 x M10 x 80
06273-3250X22	reamed hole with slot	250	22H7	49	28	50	6	24,8	5	ø32 x M12 x 100
06273-3250X26	reamed hole with slot	250	26H7	49	28	50	8	29,3	5	ø32 x M12 x 100
06273-3315X26	reamed hole with slot	315	26H7	54	33	56	8	29,3	5	ø32 x M12 x 100
06273-3315X30	reamed hole with slot	315	30H7	54	33	56	8	33,3	5	ø32 x M12 x 100
06273-3400X30	reamed hole with slot	400	30H7	65	38	63	8	33,3	5	ø36 x M16 x 112
06273-3400X34	reamed hole with slot	400	34H7	65	38	63	10	37,3	5	ø36 x M16 x 112
06273-3500X34	reamed hole with slot	500	34H7	79	45	72	10	37,3	5	ø36 x M16 x 112
06273-3500X40	reamed hole with slot	500	40H7	79	45	72	12	43,3	5	ø36 x M16 x 112