

Item description/product images



Description

Material:

Handwheel in aluminium

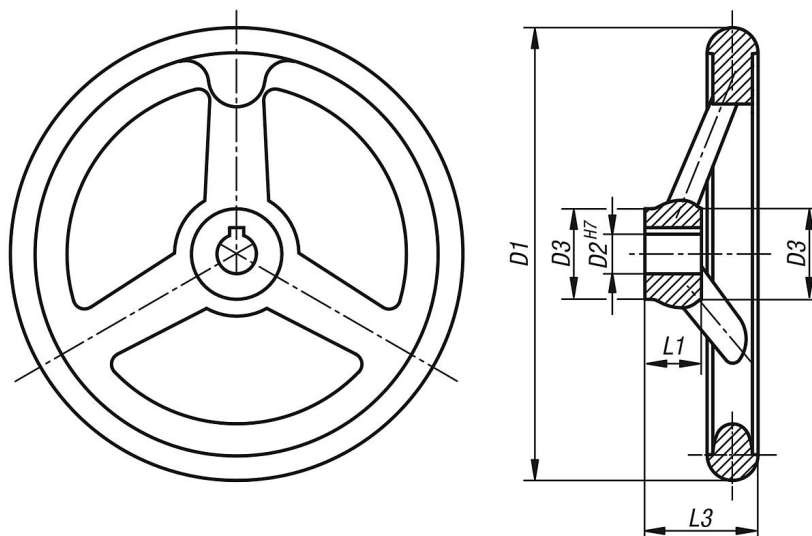
Version:

Wheel rim turned and polished.

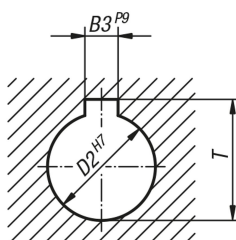
On request:

Hubs with square socket or powder-coated handwheels.

Drawings



DIN 6885-1



Overview of items

Order No.	Version 1	D1	D2	D3	L1	L3	B3	T	Number of spokes
06273-0080X10	reamed hole	80	10H7	25	16	29	-	-	3
06273-0080X12	reamed hole	80	12H7	25	16	29	-	-	3
06273-0100X10	reamed hole	100	10H7	29	17	33	-	-	3
06273-0100X12	reamed hole	100	12H7	29	17	33	-	-	3
06273-0125X12	reamed hole	125	12H7	31	18	36	-	-	3
06273-0125X14	reamed hole	125	14H7	31	18	36	-	-	3
06273-0140X14	reamed hole	140	14H7	36	19	39	-	-	3
06273-0140X16	reamed hole	140	16H7	36	19	39	-	-	3
06273-0160X14	reamed hole	160	14H7	36	20	40	-	-	3
06273-0160X16	reamed hole	160	16H7	36	20	40	-	-	3
06273-0180X16	reamed hole	180	16H7	37	22	43	-	-	3
06273-0180X18	reamed hole	180	18H7	37	22	43	-	-	3
06273-0200X18	reamed hole	200	18H7	43	24	45	-	-	3
06273-0200X22	reamed hole	200	22H7	43	24	45	-	-	3
06273-0250X22	reamed hole	250	22H7	49	28	50	-	-	5
06273-0250X26	reamed hole	250	26H7	49	28	50	-	-	5
06273-0315X26	reamed hole	315	26H7	54	33	56	-	-	5
06273-0315X30	reamed hole	315	30H7	54	33	56	-	-	5
06273-0400X30	reamed hole	400	30H7	65	38	63	-	-	5
06273-0400X34	reamed hole	400	34H7	65	38	63	-	-	5
06273-0500X34	reamed hole	500	34H7	79	45	72	-	-	5
06273-0500X40	reamed hole	500	40H7	79	45	72	-	-	5
06273-1080X10	reamed hole with slot	80	10H7	25	16	29	3	11,4	3
06273-1080X12	reamed hole with slot	80	12H7	25	16	29	4	13,8	3
06273-1100X10	reamed hole with slot	100	10H7	29	17	33	3	11,4	3
06273-1100X12	reamed hole with slot	100	12H7	29	17	33	4	13,8	3
06273-1125X12	reamed hole with slot	125	12H7	31	18	36	4	13,8	3
06273-1125X14	reamed hole with slot	125	14H7	31	18	36	5	16,3	3
06273-1140X14	reamed hole with slot	140	14H7	36	19	39	5	16,3	3

Overview of items

Order No.	Version 1	D1	D2	D3	L1	L3	B3	T	Number of spokes
06273-1140X16	reamed hole with slot	140	16H7	36	19	39	5	18,3	3
06273-1160X14	reamed hole with slot	160	14H7	36	20	40	5	16,3	3
06273-1160X16	reamed hole with slot	160	16H7	36	20	40	5	18,3	3
06273-1180X16	reamed hole with slot	180	16H7	37	22	43	5	18,3	3
06273-1180X18	reamed hole with slot	180	18H7	37	22	43	6	20,8	3
06273-1200X18	reamed hole with slot	200	18H7	43	24	45	6	20,8	3
06273-1200X22	reamed hole with slot	200	22H7	43	24	45	6	24,8	3
06273-1250X22	reamed hole with slot	250	22H7	49	28	50	6	24,8	5
06273-1250X26	reamed hole with slot	250	26H7	49	28	50	8	29,3	5
06273-1315X26	reamed hole with slot	315	26H7	54	33	56	8	29,3	5
06273-1315X30	reamed hole with slot	315	30H7	54	33	56	8	33,3	5
06273-1400X30	reamed hole with slot	400	30H7	65	38	63	8	33,3	5
06273-1400X34	reamed hole with slot	400	34H7	65	38	63	10	37,3	5
06273-1500X34	reamed hole with slot	500	34H7	79	45	72	10	37,3	5
06273-1500X40	reamed hole with slot	500	40H7	79	45	72	12	43,3	5