

Item description/product images



Description

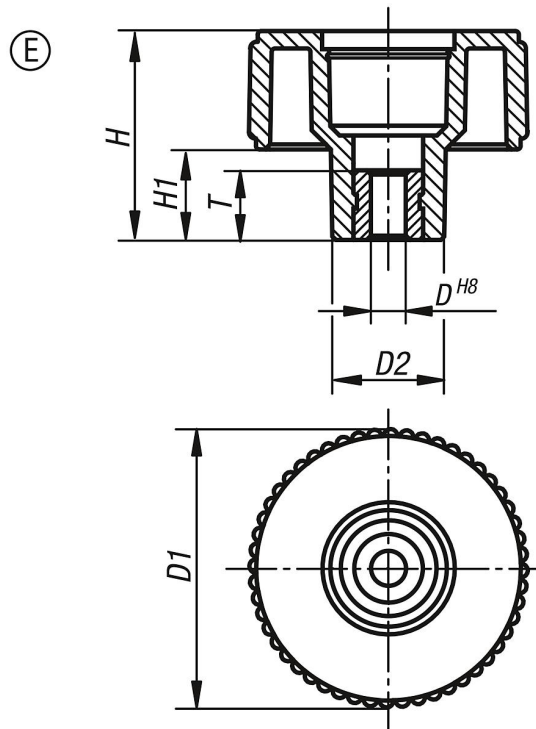
Material:

Black thermoplastic.
Bush grade 5.8 steel.

Version:

Steel trivalent blue-passivated.

Drawings



Overview of items

Order No.	Form	D	D1	D2	H	H1	T
06266-3106	E	6	40	16,5	30	13	10
06266-3208	E	8	50	18	35	15	14
06266-3310	E	10	63	22	40	17	14