

Item description/product images



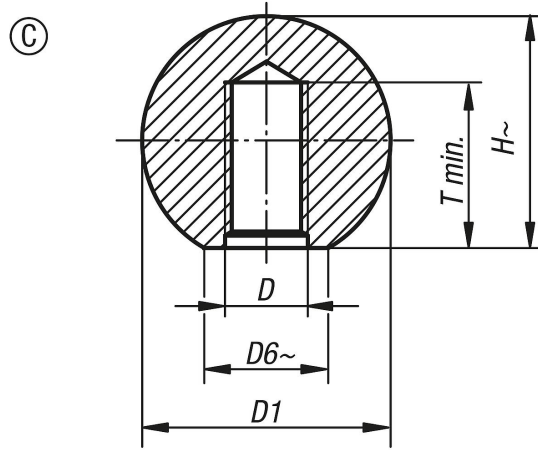
Description

Material:
Thermoplastic.

Version:
Black.

On request:
Other colours.

Drawings



Overview of items

Order No.	Form	D	D1	D6	H	T
06247-11604	C	M4	16	8	15	6
06247-11605	C	M5	16	8	15	7,5
06247-12005	C	M5	20	12	18	7,5
06247-12006	C	M6	20	12	18	9
06247-12506	C	M6	25	15	22,5	9
06247-12508	C	M8	25	15	22,5	12
06247-13208	C	M8	32	18	29	12
06247-13210	C	M10	32	18	29	15
06247-14010	C	M10	40	22	37	15
06247-14012	C	M12	40	22	37	15