

Item description/product images



Description

Material:

Black thermoplastic.

Steel grade 5.8 or stainless steel 1.4305.

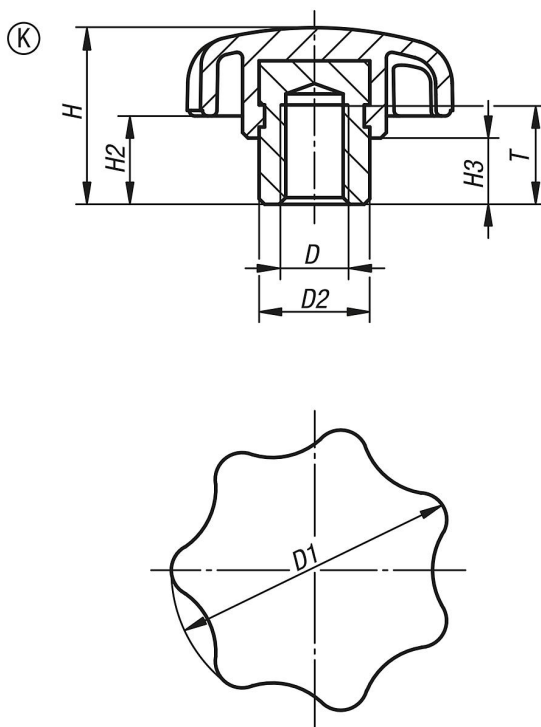
Version:

Metal parts trivalent blue passivated steel or bright stainless steel.

Note:

Star grips with projecting steel bush and blind hole or internal thread are especially suited for cross pinning.

Drawings



Overview of items

Order No.	Form	Component material	D	D1	D2	H	H2	H3	T
06210-205	K	steel	M5	25	10	17	9	7	9
06210-206	K	steel	M6	32	13,5	21	11	9,5	12
06210-2061	K	steel	M6	40	13,5	25	13	10	12
06210-208	K	steel	M8	40	13,5	25	13	10	12
06210-2081	K	steel	M8	50	19	32	17	12	17
06210-210	K	steel	M10	50	19	32	17	12	17
06210-2101	K	steel	M10	63	19	37	18	12	17
06210-212	K	steel	M12	63	19	37	18	12	17
06210-216	K	steel	M16	63	23	40	21	15	23
06210-305	K	stainless steel	M5	25	10	17	9	7	9
06210-306	K	stainless steel	M6	32	13,5	21	11	9,5	12

Overview of items

Order No.	Form	Component material	D	D1	D2	H	H2	H3	T
06210-3061	K	stainless steel	M6	40	13,5	25	13	10	12
06210-308	K	stainless steel	M8	40	13,5	25	13	10	12
06210-3081	K	stainless steel	M8	50	19	32	17	12	17
06210-310	K	stainless steel	M10	50	19	32	17	12	17
06210-3101	K	stainless steel	M10	63	19	37	18	12	17
06210-312	K	stainless steel	M12	63	19	37	18	12	17
06210-316	K	stainless steel	M16	63	23	40	21	15	23