

Item description/product images

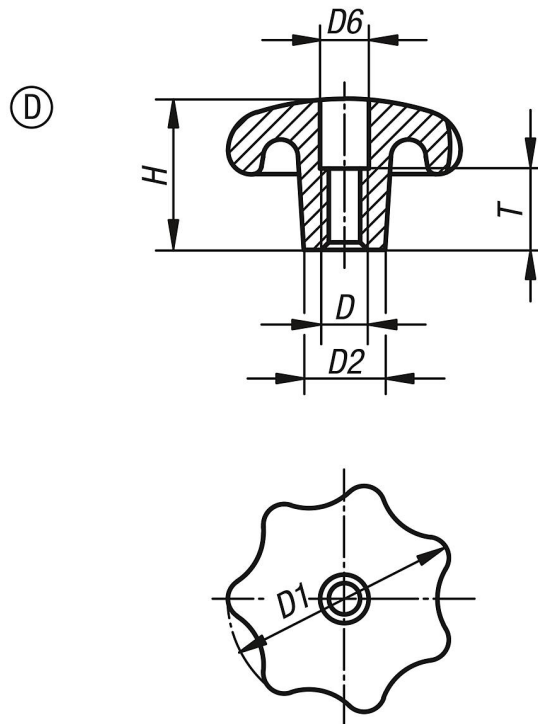


Description

Material:
Aluminium.

Version:
Tumbled or ground and polished.

Drawings



Overview of items

Order No.	Form	Surface finish body	D	D1	D2	D6	H	T
06192-440082	D	polished	M8	40	14	8,4	25	12
06192-450102	D	polished	M10	50	18	10,5	32	16
06192-463122	D	polished	M12	63	20	13	40	20
06192-480162	D	polished	M16	80	25	17	50	30
06192-44008	D	tumbled	M8	40	14	8,4	25	12
06192-45010	D	tumbled	M10	50	18	10,5	32	16
06192-46312	D	tumbled	M12	63	20	13	40	20
06192-48016	D	tumbled	M16	80	25	17	50	30