

Item description/product images

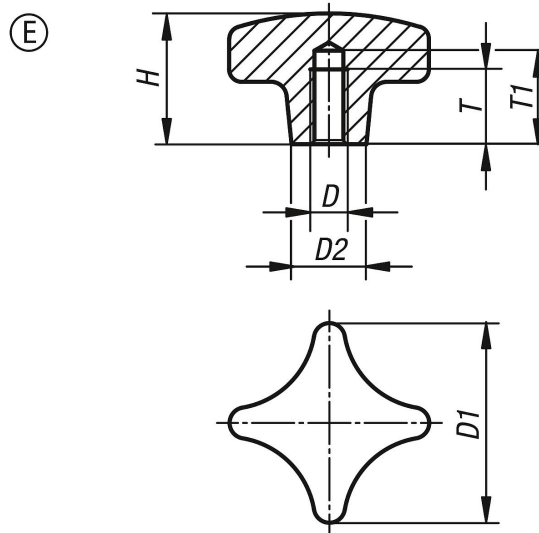


Description

Material:
Aluminium.

Version:
Tumbled or ground and polished.

Drawings



Overview of items

Order No.	Form	Finish	D	D1	D2	H	T	T1
06156-504008	E	tumbled	M8	40	14	25	15	18
06156-505010	E	tumbled	M10	50	18	32	18	21
06156-506312	E	tumbled	M12	63	25	40	22	25
06156-508016	E	tumbled	M16	80	25	50	28	32
06156-5040082	E	polished	M8	40	14	25	15	18
06156-5050102	E	polished	M10	50	18	32	18	21
06156-5063122	E	polished	M12	63	25	40	22	25
06156-5080162	E	polished	M16	80	25	50	28	32