

Item description/product images

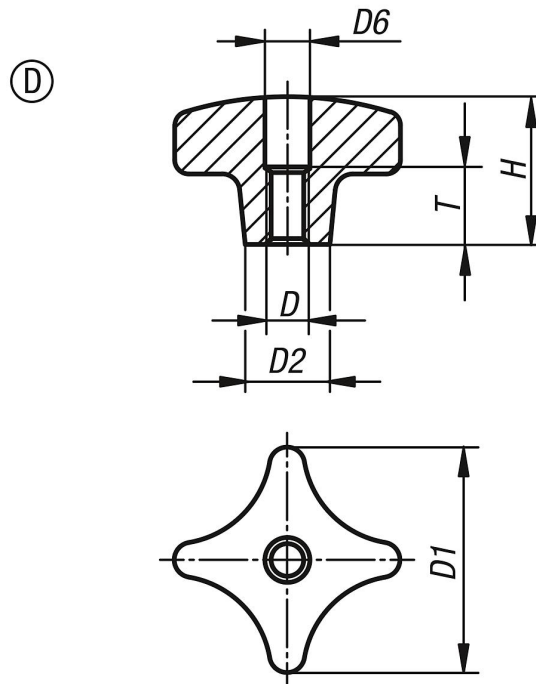


Description

Material:
Aluminium.

Version:
Tumbled or ground and polished.

Drawings



Overview of items

Order No.	Form	Finish	D	D1	D2	D6	H	T
06156-404008	D	tumbled	M8	40	14	8,4	25	15
06156-405010	D	tumbled	M10	50	18	10,5	32	18
06156-406312	D	tumbled	M12	63	25	13	40	22
06156-408016	D	tumbled	M16	80	25	17	50	28
06156-4040082	D	polished	M8	40	14	8,4	25	15
06156-4050102	D	polished	M10	50	18	10,5	32	18
06156-4063122	D	polished	M12	63	25	13	40	22
06156-4080162	D	polished	M16	80	25	17	50	28