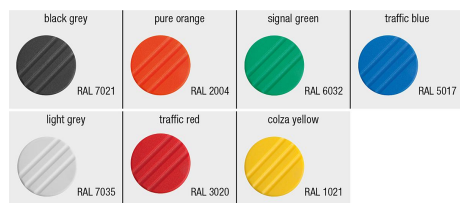


## Item description/product images



## Description

**Material:**

Thermoplastic, black grey.  
Bush steel.

**Version:**

Bush blue passivated

**Note:**

Available without graduations, with one scale line or with 20 graduations and 10 digits.

Δ Add the desired cap colour here. No colour code is required for black grey caps.

**On request:**

Special graduations.

**Drawing reference:**

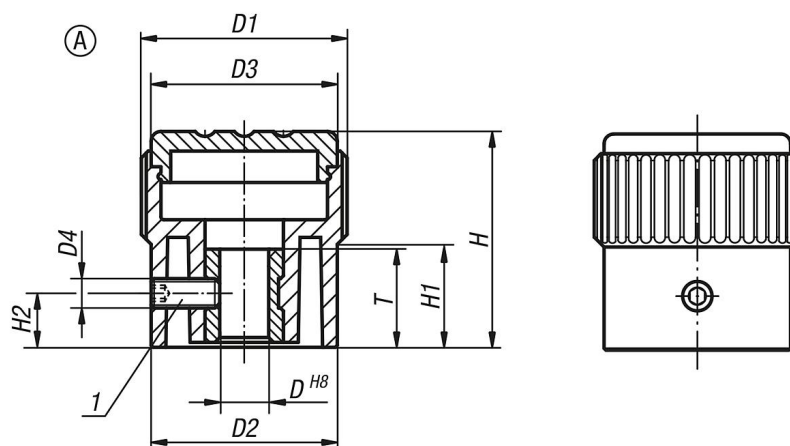
Form A: without graduations

Form B: with one scale line

Form C: with standard graduations

1) Set screw for locking (by Form C between numbers 5 and 6)

## Drawings



## Overview of items

Order No.	Form	Colour Cap	D	D1	D2	D3	D4	H	H1	H2	T
06100-1105	A	black grey RAL 7021	5	21	19	19	M3	22	10,5	5	10
06100-11051	A	orange RAL 2004	5	21	19	19	M3	22	10,5	5	10
06100-11052	A	signal green RAL6032	5	21	19	19	M3	22	10,5	5	10
06100-11053	A	blue RAL5017	5	21	19	19	M3	22	10,5	5	10
06100-11055	A	light grey RAL 7035	5	21	19	19	M3	22	10,5	5	10
06100-11056	A	traffic red RAL 3020	5	21	19	19	M3	22	10,5	5	10
06100-11057	A	colza yellow RAL 1021	5	21	19	19	M3	22	10,5	5	10
06100-1206	A	black grey RAL 7021	6	26	23	23	M3	26	12	6	10
06100-12061	A	orange RAL 2004	6	26	23	23	M3	26	12	6	10
06100-12062	A	signal green RAL6032	6	26	23	23	M3	26	12	6	10
06100-12063	A	blue RAL5017	6	26	23	23	M3	26	12	6	10
06100-12065	A	light grey RAL 7035	6	26	23	23	M3	26	12	6	10

## Overview of items

Order No.	Form	Colour Cap	D	D1	D2	D3	D4	H	H1	H2	T
06100-12066	A	traffic red RAL 3020	6	26	23	23	M3	26	12	6	10
06100-12067	A	colza yellow RAL 1021	6	26	23	23	M3	26	12	6	10
06100-1308	A	black grey RAL 7021	8	34	31	31	M4	36	17,5	7	14
06100-13081	A	orange RAL 2004	8	34	31	31	M4	36	17,5	7	14
06100-13082	A	signal green RAL6032	8	34	31	31	M4	36	17,5	7	14
06100-13083	A	blue RAL5017	8	34	31	31	M4	36	17,5	7	14
06100-13085	A	light grey RAL 7035	8	34	31	31	M4	36	17,5	7	14
06100-13086	A	traffic red RAL 3020	8	34	31	31	M4	36	17,5	7	14
06100-13087	A	colza yellow RAL 1021	8	34	31	31	M4	36	17,5	7	14