

Item description/product images



Description

Material:

Black thermoset PF 31.
Bush electro zinc-plated steel.

Version:

High-gloss polished.

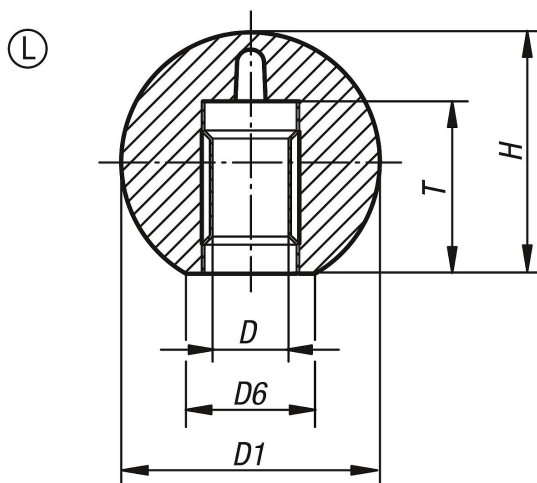
Note:

Assembly Form L: The Ball Knobs are mounted firmly by tapping a hammer lightly. Please only use a rubber or plastic hammer, with a weight up to 200 g!

Shank tolerance:

Ball knobs with press-fit sleeve can be mounted on standard shafts with tolerance h9. The supplied press-fit sleeve assures a firm and reliable fit.

Drawings



Overview of items

Order No.	Form	Main colour	D	D1	D6	H	T
06250-42005	L	black	5	20	12	18	13
06250-42506	L	black	6	25	15	23	16
06250-42508	L	black	8	25	15	23	15
06250-43208	L	black	8	32	18	29	15
06250-43210	L	black	10	32	18	29	20
06250-44010	L	black	10	40	20	37,5	20
06250-44012	L	black	12	40	20	37,5	23
06250-45012	L	black	12	50	28	48	20