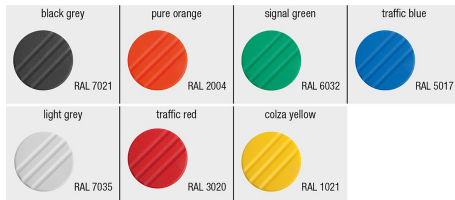


Item description/product images



Description

Material:
Thermoplastic, black grey.
Bush steel.

Version:
Bush blue passivated

Note:
Available without graduations, with one scale line or with 20 graduations and 10 digits.

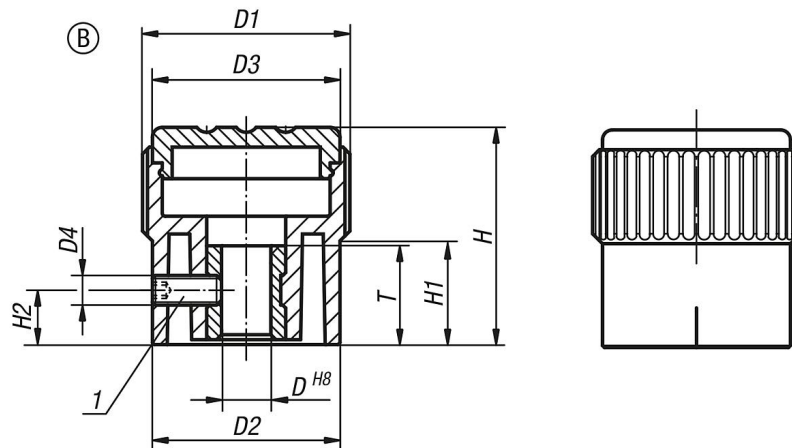
Δ Add the desired cap colour here. No colour code is required for black grey caps.

On request:
Special graduations.

Drawing reference:
Form A: without graduations
Form B: with one scale line
Form C: with standard graduations

1) Set screw for locking (by Form C between numbers 5 and 6)

Drawings



Overview of items

Order No.	Form	Colour Cap	D	D1	D2	D3	D4	H	H1	H2	T
06100-2105	B	black grey RAL 7021	5	21	19	19	M3	22	10,5	5	10
06100-21051	B	orange RAL 2004	5	21	19	19	M3	22	10,5	5	10
06100-21052	B	signal green RAL6032	5	21	19	19	M3	22	10,5	5	10
06100-21053	B	blue RAL5017	5	21	19	19	M3	22	10,5	5	10
06100-21055	B	light grey RAL 7035	5	21	19	19	M3	22	10,5	5	10
06100-21056	B	traffic red RAL 3020	5	21	19	19	M3	22	10,5	5	10
06100-21057	B	colza yellow RAL 1021	5	21	19	19	M3	22	10,5	5	10
06100-2206	B	black grey RAL 7021	6	26	23	23	M3	26	12	6	10
06100-22061	B	orange RAL 2004	6	26	23	23	M3	26	12	6	10
06100-22062	B	signal green RAL6032	6	26	23	23	M3	26	12	6	10
06100-22063	B	blue RAL5017	6	26	23	23	M3	26	12	6	10
06100-22065	B	light grey RAL 7035	6	26	23	23	M3	26	12	6	10

Overview of items

Order No.	Form	Colour Cap	D	D1	D2	D3	D4	H	H1	H2	T
06100-22066	B	traffic red RAL 3020	6	26	23	23	M3	26	12	6	10
06100-22067	B	colza yellow RAL 1021	6	26	23	23	M3	26	12	6	10
06100-2308	B	black grey RAL 7021	8	34	31	31	M4	36	17,5	7	14
06100-23081	B	orange RAL 2004	8	34	31	31	M4	36	17,5	7	14
06100-23082	B	signal green RAL6032	8	34	31	31	M4	36	17,5	7	14
06100-23083	B	blue RAL5017	8	34	31	31	M4	36	17,5	7	14
06100-23085	B	light grey RAL 7035	8	34	31	31	M4	36	17,5	7	14
06100-23086	B	traffic red RAL 3020	8	34	31	31	M4	36	17,5	7	14
06100-23087	B	colza yellow RAL 1021	8	34	31	31	M4	36	17,5	7	14