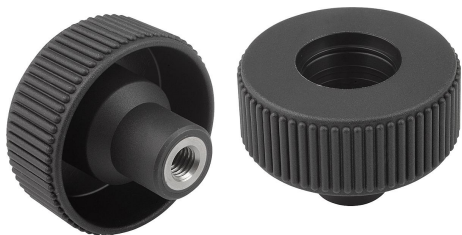


Item description/product images



Description

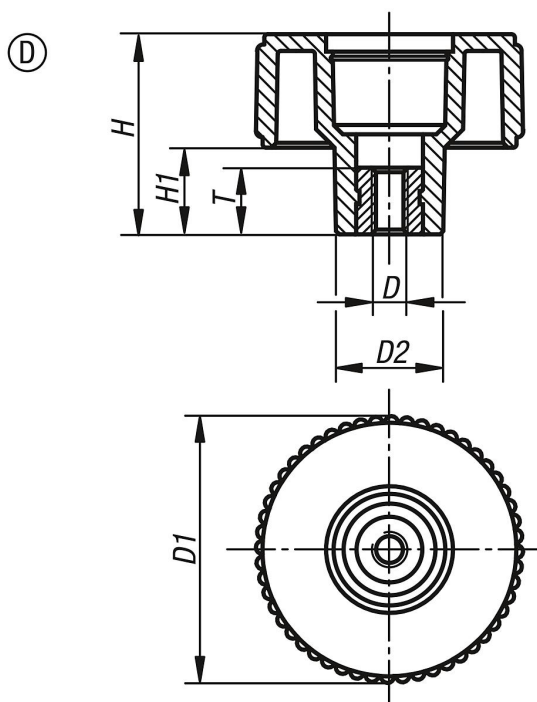
Material:

Thermoplastic, black grey.  
Bush and screw stainless steel 1.4305.

Version:

Stainless steel bright.

Drawings



Overview of items

| Order No.  | Form | D   | D1 | D2   | H  | H1 | T  |
|------------|------|-----|----|------|----|----|----|
| 06267-1105 | D    | M5  | 40 | 16,5 | 30 | 13 | 10 |
| 06267-1106 | D    | M6  | 40 | 16,5 | 30 | 13 | 10 |
| 06267-1108 | D    | M8  | 40 | 16,5 | 30 | 13 | 14 |
| 06267-1208 | D    | M8  | 50 | 18   | 35 | 15 | 14 |
| 06267-1210 | D    | M10 | 50 | 18   | 35 | 15 | 14 |
| 06267-1310 | D    | M10 | 63 | 22   | 40 | 17 | 14 |
| 06267-1312 | D    | M12 | 63 | 22   | 40 | 17 | 18 |